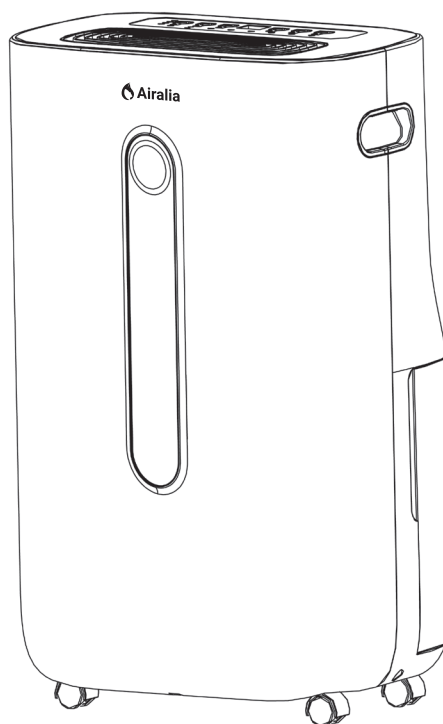




Aerialia®

Instruction manual

20L Dehumidifier | Model AIR-DH20



Instruction manual

EN

Bedienungsanleitung

DE

Manual de instrucciones

ES

Manuel d'utilisation

FR

Manuale di istruzioni

IT

Thank you

Thank you for purchasing this Airlia dehumidifier.

- 02 Important safety warnings.
- 06 Specific information regarding R290 refrigerant gas.
- 07 Technical specifications & parts description.
- 08 Use & operation.
- 10 Draining the water.
- 12 Cleaning the dehumidifier.
- 14 Defrosting operation.
- 14 Useful information / tips.

Before operating your dehumidifier, please read this instruction manual carefully and save it for future reference.

Before use

- Before operating, remove all packaging materials and check the condition of the dehumidifier. Do not operate the dehumidifier if there are any signs of damage.
- Before use, always check the condition of the power cable. If the supply cable is damaged it must be replaced by the manufacturer or a qualified technician.
- Keep the packaging materials (plastic bags, styrofoam) out of the reach of children.

Connecting and disconnecting the dehumidifier

- Ensure that the mains supply complies with the electrical specifications (voltage, frequency and power) stated in the rating label of the dehumidifier. Ensure that the power socket matches the dehumidifier plug.
- This dehumidifier must be plugged into an earthed socket.
- To avoid overloading the circuit, do not operate any other high-wattage appliance on the same circuit as this dehumidifier.
- Always plug/unplug the dehumidifier using the electrical plug itself.
- Do not pull on the mains cable to remove the plug from the socket. In addition, never move, carry or hang the dehumidifier by the mains cable.
- Ensure the mains cable is fully extended before use and don't allow it to come into contact with any part of the dehumidifier.
- To disconnect the dehumidifier completely from the mains supply, you must unplug it from the socket.
- Do not use extension cables or leads with this dehumidifier as they may overheat and cause a fire risk.
- This dehumidifier is not intended to be operated via an external timer or separate remote-control system.
- Do not cover the power cable, for example under carpeting, rugs or runners.
- Do not place the power cable in areas where it may cause a tripping hazard.
- Do not place the power cable in a wet, damp or hot place.
- Do not clip or crease the power cable. Do not wrap the power cable around the dehumidifier.



Important safety warnings

Introduction

- Use this dehumidifier solely as described in this manual. Any other use not recommended by the manufacturer may result in hazards including but not limited to fire and serious injury from electric shock and burns.
- The manufacturer shall not be held liable for any damages resulting from failure to follow these instructions.
- This dehumidifier is not to be used by persons (including children) with reduced physical, sensory or mental capabilities, or lack of experience and knowledge unless they have been given supervision or instruction concerning the use of the dehumidifier by a person responsible for their safety.
- This dehumidifier is designed for indoor household use only and must not be used outdoors or for other purposes.
- Never leave the dehumidifier unattended while in use.
- Never leave children or pets alone or unattended in the area where the dehumidifier is in use. Never allow children to play with this appliance.
- If the dehumidifier is transferred to other users, it should be accompanied by these instructions.

Dehumidifier location & transportation

- Keep the dehumidifier upright when transporting. After transporting the dehumidifier, wait at least one hour before turning it on.
- Ensure the dehumidifier is unplugged from the electrical socket before moving it.
- Do not use the dehumidifier near flammable substances (e.g. petrol, alcohol, paints, gasses), pressurised containers (e.g. aerosol cans) or sources of heat (e.g. ovens, heaters).
- Do not use the dehumidifier on sloping surfaces. Always keep it in an upright position to avoid leaks or causing any hazards.
- Keep the dehumidifier at least 40 cm away from surrounding walls and objects.
- Do not place the continuous drainage hose outside when temperatures are below 0°C.

Cleaning, maintenance and storage

- In the event of a fault or malfunction, turn off the dehumidifier and contact the vendor or manufacturer.
- Do not attempt to repair or adjust any electrical or mechanical parts in the dehumidifier yourself or with the assistance of unauthorized personnel. Doing so is unsafe and will invalidate your warranty.
- When cleaning the dehumidifier, always follow the manufacturer's recommendations.
- Before every cleaning or maintenance session, make sure the dehumidifier is disconnected from the mains and the water tank is empty.
- Do not use any corrosive, solvent-based or abrasive cleaners as they can damage the dehumidifier. Never submerge the dehumidifier in water.
- Do not use the dehumidifier without the air filter. Clean the air filter frequently.
- Always unplug the dehumidifier before emptying the water tank.
- Do not remove the water tank while the dehumidifier is in use. This may cause the appliance to leak.
- Always empty the water tank before putting the dehumidifier away for storage.
- Water that collects in the dehumidifier is not drinkable; it must be disposed of.

Usage

- Do not insert or allow objects to enter any of the dehumidifier's vents or openings. This may damage the appliance and/or cause electric shock, or fire.
- Do not allow water or any other liquids to run into the interior of the appliance, as this could create a fire and/or electrical hazard.
- Do not operate the dehumidifier with wet hands or feet.
- Do not place anything on top of the dehumidifier.
- Do not cover the dehumidifier while in use.
- Do not use any method to accelerate the dehumidifier defrosting process.

Recycling and disposal

- The packaging materials used for this dehumidifier can be recycled. Please dispose of any packaging in an environmentally friendly manner. Consult your local council for further details.
- Do not dispose of the dehumidifier with your normal domestic waste but through an approved disposal centre or at your community waste facility. If in doubt, please contact your waste disposal centre or local council.

Specific information regarding R290 refrigerant gas

Thoroughly read all of the following warnings



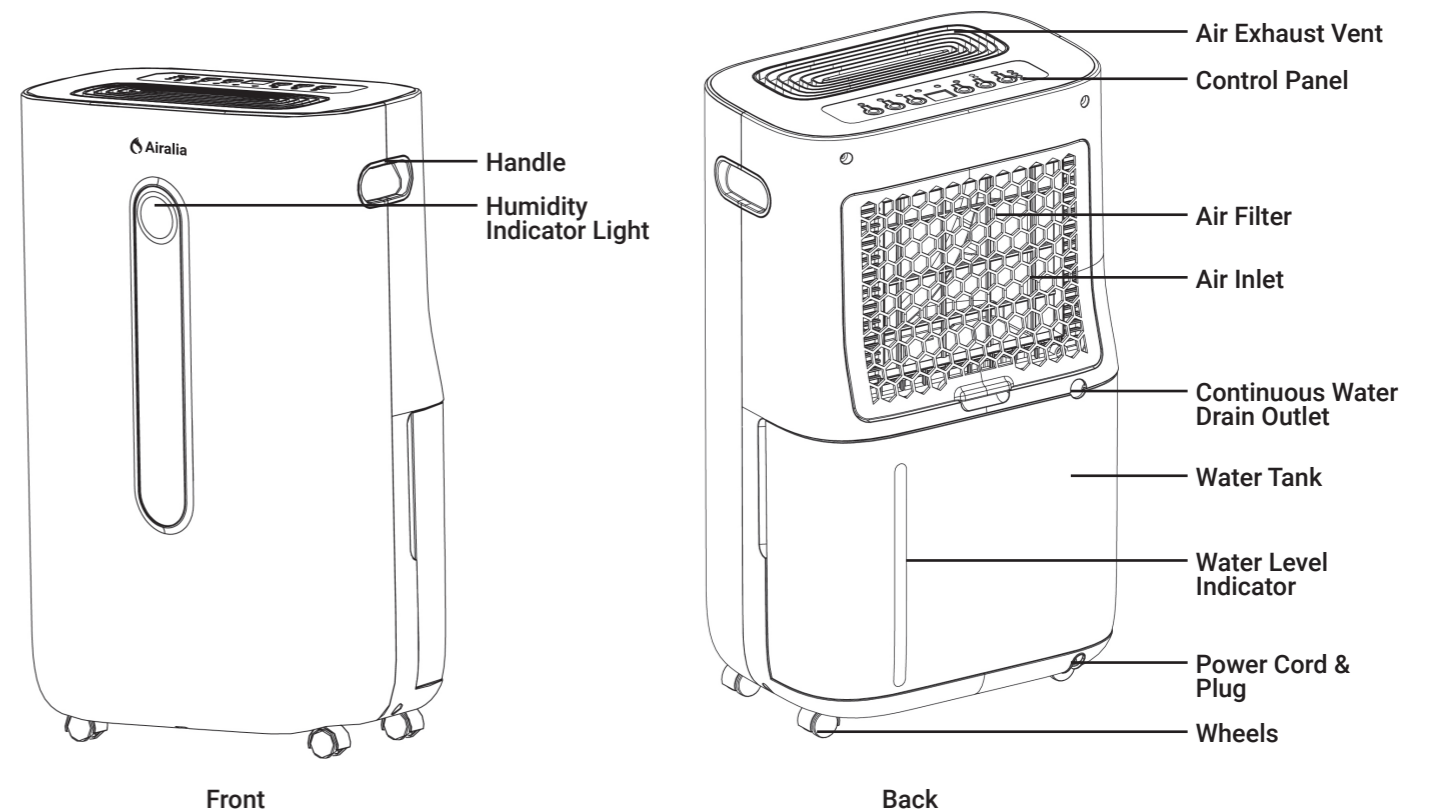
Caution, risk of fire



- This dehumidifier contains 60g of R290 refrigerant gas.
- The dehumidifier must be placed in an area without any continuous sources of ignition (for example, open flames, operational gas or electrical appliances).
- Do not puncture and do not burn.
- Be aware that R290 refrigerant gas is odourless.
- The dehumidifier must be installed, used and stored in an area greater than 4 m².
- If the dehumidifier is installed, operated or stored in an unventilated area, the room must be designed to prevent the accumulation of refrigerant leaks that can result in the risk of fire or explosion due to ignition of the refrigerant caused by electric heaters, stoves, or other sources of ignition.
- The dehumidifier must be stored in a way that avoids mechanical failure.
- Individuals who operate or work on the refrigerant circuit must have the appropriate certification issued by an accredited organisation that ensures competence in handling refrigerants according to a specific evaluation recognized by associations in the industry.
- Repairs must be performed based on recommendations from the manufacturer. Maintenance and repairs that require the assistance of other qualified personnel must be performed under the supervision of an individual who specializes in the use of flammable refrigerants.
- Do not puncture any part of the refrigerant circuit.

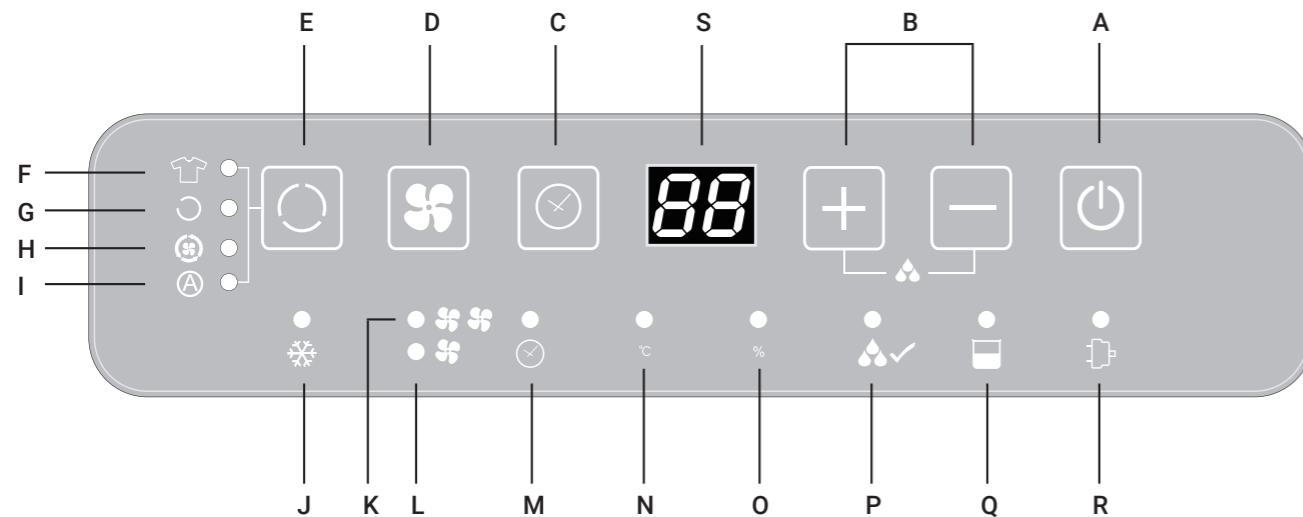
Technical specifications & parts description

Model No.	AIR-DH20
Size	565 x 340 x 240mm
Net Weight	14Kg
Power Supply	AC220V - 240V ~ 50Hz
Input Power	420W
Dehumidification Capacity	Approx. 20L per day at 30°C, 80%
Water Tank Capacity	6.5L
Operating Temperature	5–32 °C
Refrigerant Gas	R290/60g
Hygrometer	Yes
Fan Speed	2 speeds - High (Turbo)/Low
Air Filter	Yes



+ Use & operation

Control panel



A - Power Button: Press this button to switch the dehumidifier ON or OFF. When the dehumidifier is ON, the display screen (S) shows the current relative percentage of humidity.

B - Humidity Control Set: Press + or – to set the preferred relative humidity (RH) level between 30% and 80% in 5% increments during normal dehumidification mode. The dehumidifier will turn off when the room reaches the target RH%.

C - Timer Control: Use this function to automatically switch the dehumidifier ON or OFF for a selected period of time (between 1 and 24 hours). The selected period is displayed on the display screen (S).

Auto-Off Timer: Press the timer control button while the dehumidifier is on.

The display screen will flash. Press + or – to select on the display screen the number of hours you want the dehumidifier to run before it switches off. Once the desired time is entered, wait for 5 seconds and the timer indicator light (M) will light up to confirm the timer is set.

Auto-On Timer: Press the timer control button while the dehumidifier is off.

The display screen will flash. Press + or – to select on the display screen the number of hours before you want the dehumidifier to start running. Once the desired time is entered, wait for 5 seconds and the timer indicator light (M) will light up to confirm the timer is set.

Now you can adjust the speed of the dehumidifier fan (via button D) and the mode (via button E). If nothing is selected, the previous speed and humidity setting will be used.

To disable the timer function after setting it up, press the timer control button twice.

D - Fan Speed: Use this function to set the dehumidifier extraction power to High (Turbo) or Low when in Normal mode.

E - Mode: Use this function to switch across the following modes of operation:



Laundry Mode

Use this mode to dry clothes more quickly. The dehumidifier operates continuously at maximum dehumidifying capacity. Speed and humidity control set functions are disabled in this mode.



Ventilation Mode

In this mode, the air in the room is filtered via the back air filter and vented back into the room at the speed selected (via button D). This mode does not use the dehumidifying function, only the fan runs.



Normal Mode

Use this mode to manually set the fan speed (via button D) and the target relative humidity (via button B). The dehumidifier will turn off when the room reaches the target RH%.



Automatic Mode (Continuous)

In this mode, the target relative humidity is fixed at 55% and the speed of the fan is controlled automatically:

- The fan speed is automatically set to High (Turbo) when the room's relative humidity is higher than 70% and until it is reduced to 67%.
- The fan speed is automatically set to Low when the room's relative humidity is lower than 67%.

F - Laundry Mode Indicator: Indicates when Laundry Mode is selected.

G - Normal Mode Indicator: Indicates when Normal Mode is selected.

H - Ventilation Mode Indicator: Indicates when Ventilation Mode is selected.

I - Automatic Mode Indicator: Indicates when Automatic Mode is selected

J - Defrost Indicator: Indicates when the unit is defrosting (for more information, see the Defrosting section)

K/L - Fan Speed Indicator: Indicates the power of the dehumidifier fan speed.
 * Low | ** High (Turbo)

M - Timer Indicator: Indicates when the timer has been set.

N - Temperature Indicator: Press and hold the + button (B) for 5 seconds until the temperature indicator light comes on (°C). This will show the current room temperature on the display screen (S).

O - Humidity Indicator: Indicates when a target relative humidity % is set.

P - Target Humidity Indicator: Indicates when the target relative humidity % is reached.

Q - Full Water Tank Indicator: Indicates when the dehumidifier water tank is full, removed or incorrectly slotted.

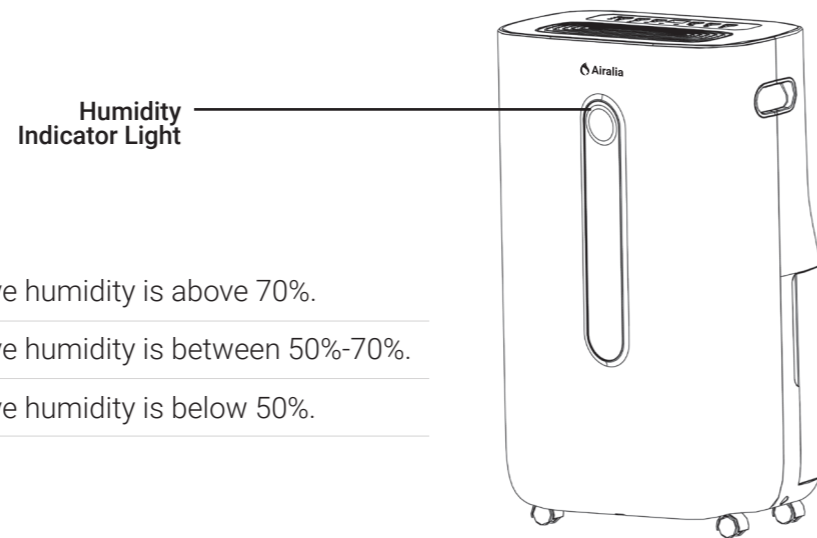
R - Power Supply Indicator: Indicates when the dehumidifier is switched on.

S - Display Screen: Shows information related to the dehumidifier operation (target relative humidity %, current room relative humidity %, timer settings, room temperature).

Child Lock: The dehumidifier controls can be locked for child safety. Press and hold the **Timer Control** button for 5 seconds to lock and unlock the control panel. The display screen will show **[LC]**.

Humidity Indicator Light: Indicates the current relative humidity percentage with three different colours:

Red Light	The current relative humidity is above 70%.
Green Light	The current relative humidity is between 50%-70%.
Blue Light	The current relative humidity is below 50%.



Draining the water

Draining the water collected in the water tank

The dehumidifier condensate water is collected directly in the water tank.

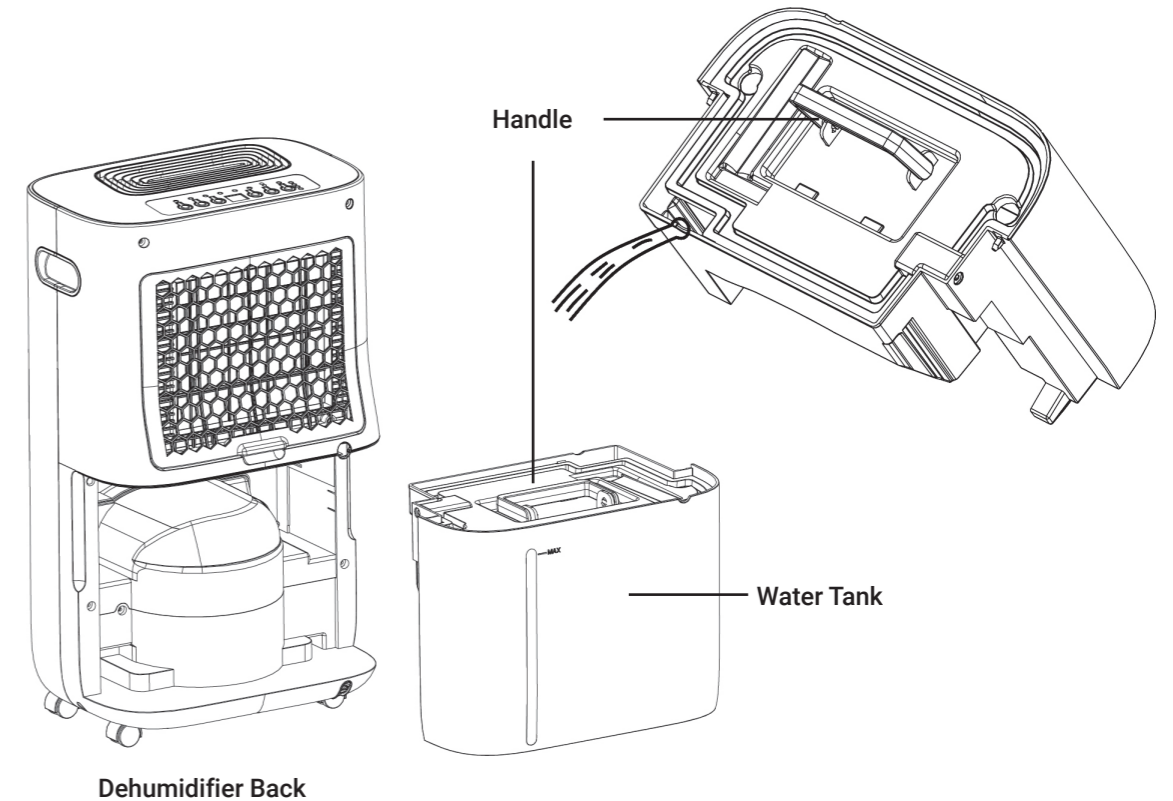
When the water tank is full, the dehumidifier automatically stops, and the “Full Water Tank” indicator (Q) lights up on the control panel accompanied by a beeping sound. Follow the steps below to empty the water tank:

- Step 1:** Turn off the dehumidifier by pressing the Power Button (A).
- Step 2:** Locate the water tank at the back of the dehumidifier and gently pull the water tank out.

Step 3: Use the water tank handle to empty it into a sink or bathtub.

Step 4: Slot the empty water tank back into the dehumidifier making sure it is properly positioned. Any misalignment of the tank will prevent the dehumidifier from starting to run again and the “Full Water Tank” indicator will carry on lighting.

Do not remove the foam float located inside the water tank. It is used by the dehumidifier to automatically stop dehumidification when the water tank is full.



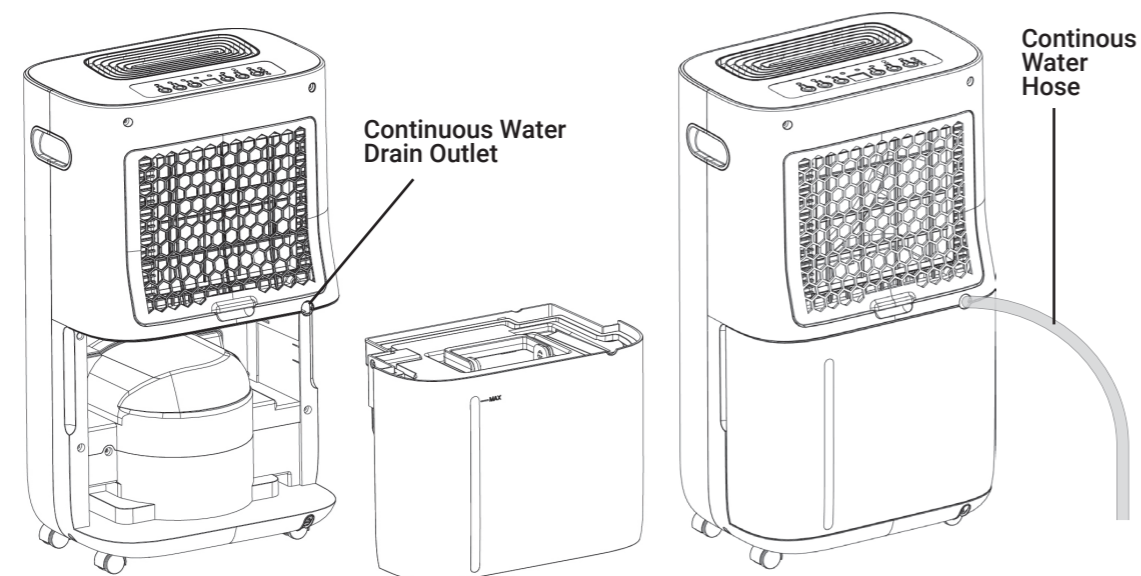
Continuous external water drainage

It is recommended to use the continuous drainage function when the appliance is used for long periods and the water tank cannot be emptied regularly. Follow the steps below to use this function:

- Step 1:** Turn off the dehumidifier by pressing the Power Button (A).
- Step 2:** Locate the water tank at the back of the dehumidifier and gently pull it out.
- Step 3:** Locate the continuous water drain outlet at the back of the dehumidifier.
- Step 4:** Insert the hose into the continuous water drain outlet and make sure it is attached correctly.

Step 5: Slot the empty water tank back into the dehumidifier, making sure it is properly positioned. Any misalignment of the tank will prevent the dehumidifier from starting to run again, and the “Full Water Tank” indicator will carry on lighting.

Step 6: Position the other end of the hose into a sink or drain. Ensure the hose is free of bends or kinks and positioned below the water drain outlet. You can now turn on the dehumidifier.



Cleaning the water tank

Clean the dehumidifier water tank once every 2 or 3 weeks to avoid the accumulation of dirt and the growth of mould, mildew and bacteria.

You can do this by pouring a mixture of clean water and mild soap into the tank. Swish it around and empty the tank. Rinse it thoroughly before slotting it back.

Cleaning the filter

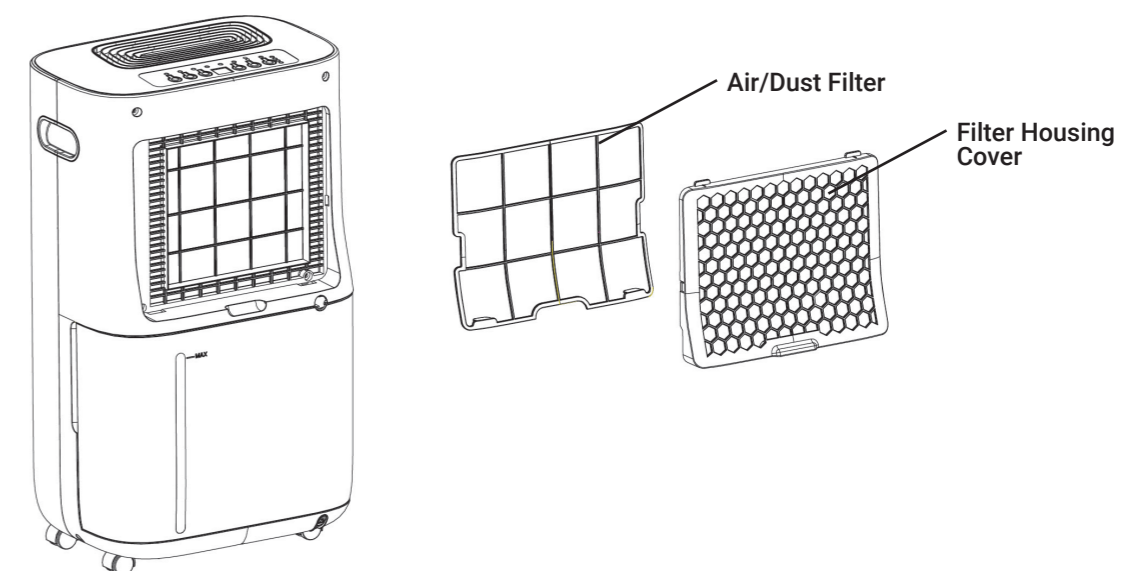
Clean the dehumidifier air/dust filter every two weeks. A dirty filter can reduce the efficiency of the dehumidifier. To clean the filter, follow the steps below:

Step 1: Remove the filter housing cover from the dehumidifier, this is located at the back of the unit.

Step 2: Carefully pull out the nylon filter from the filter housing cover.

Step 3: Use a damp cloth or a vacuum cleaner with a brush attachment to gently remove the dust from the filter.

Step 4: If the filter is too dirty, it can be rinsed with cold water and then dried completely before putting it back in place.



Cleaning the dehumidifier

WARNING: Always switch off and unplug the dehumidifier from the wall socket before carrying out any cleaning or maintenance.

Cleaning the unit

Clean the surfaces of the dehumidifier using a soft cloth. Never use corrosive, solvent-based or abrasive cleaners as this can damage the dehumidifier.

You can use a vacuum cleaner with a brush attachment to gently clean the intake and exhaust grilles.

Defrosting operation

Frost can build up on the internal coils of the unit. When this happens, the dehumidifying function will stop automatically, and the unit fan will continue to run until the frost disappears. This takes only a few minutes, and once the internal coils are defrosted, the dehumidifying operation will resume.



During the defrosting operation, the defrost indicator (J) will light up on the control panel. Do not turn off the dehumidifier while the unit is defrosting.

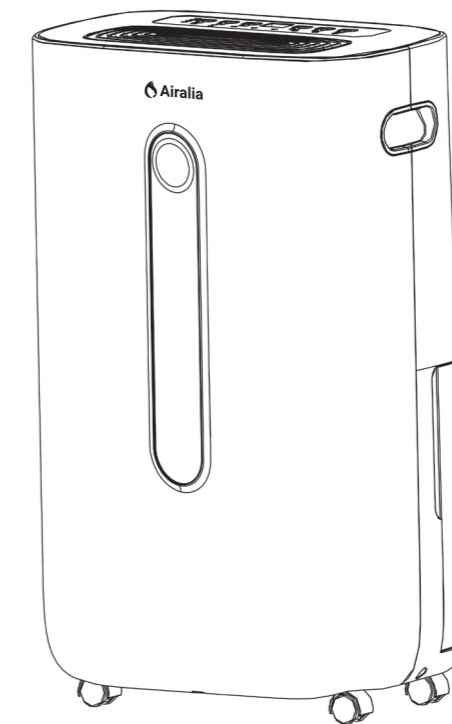
Useful information / tips

- This dehumidifier is equipped with a security function that prevents users from turning the compressor on and off too frequently. This function delays the dehumidifying function until the unit has been on for 3 minutes.
- Whenever the dehumidifier is turned on, it uses the settings that were selected before the last time it was turned off.
- In the event of a power outage while the dehumidifier is running and after the power is restored, the dehumidifier will start again automatically, keeping all the settings selected before the outage.
- All compressor dehumidifiers produce heat during the dehumidifying process. The temperature of the air from the vent will depend on the room environment and the compressor operation. It can fluctuate, and this is normal.


Airalia[®]

Bedienungsanleitung

20 L Luftentfeuchter | Modell AIR-DH20



Instruction manual EN

Bedienungsanleitung DE

Manual de instrucciones ES

Manuel d'utilisation FR

Manuale di istruzioni IT

Vielen dank

Vielen Dank, dass Sie sich für diesen Luftentfeuchter von Airalia entschieden haben.

- 16 Wichtige sicherheitshinweise.
- 20 Spezifische informationen zum kältemittel R290-gas.
- 21 Technische daten & teilebeschreibung.
- 22 Verwendung und betrieb.
- 24 Entleeren des wassers.
- 26 Reinigung des luftentfeuchters.
- 28 Abtaubetrieb.
- 28 Nützliche informationen / tipps.

Bevor Sie Ihren Luftentfeuchter in Betrieb nehmen, lesen Sie bitte sorgfältig diese Betriebsanleitung durch und bewahren Sie sie zum Nachlesen auf.

- Wenn der Luftentfeuchter an andere Benutzer weitergegeben wird, sollten Sie ihm diese Anleitung beilegen.

Vor der inbetriebnahme

- Entfernen Sie vor der Inbetriebnahme alle Verpackungsmaterialien und überprüfen Sie den Zustand des Luftentfeuchters. Nehmen Sie den Luftentfeuchter nicht in Betrieb, wenn er Anzeichen von Beschädigung aufweist.
- Überprüfen Sie vor der Inbetriebnahme immer den Zustand des Netzkabels. Wenn das Versorgungskabel beschädigt ist, muss es durch den Hersteller oder einen qualifizierten Techniker ersetzt werden.
- Bewahren Sie die Verpackungsmaterialien (Plastiktüten, Styropor) außerhalb der Reichweite von Kindern auf.

Anschluss und trennung des luftentfeuchters

- Stellen Sie sicher, dass die Netzversorgung den elektrischen Spezifikationen auf dem Typenschild (Spannung, Frequenz und Leistung) entspricht. Stellen Sie sicher, dass der Stecker des Luftentfeuchters in die Steckdose passt.
- Dieser Luftentfeuchter muss von einer geerdeten Steckdose versorgt werden.
- Um eine Überlastung des Stromkreises zu vermeiden, betreiben Sie keine anderen Geräte mit hoher Leistung am selben Stromkreis wie diesen Luftentfeuchter.
- Um den Luftentfeuchter von der Stromversorgung zu trennen, ziehen Sie stets nur an dem Netzstecker selbst.
- Ziehen Sie nicht am Netzkabel, um den Stecker aus der Steckdose zu entfernen. Bewegen, tragen oder hängen Sie den Luftentfeuchter niemals mit dem Netzkabel.
- Vergewissern Sie sich, dass das Netzkabel vor dem Gebrauch vollständig abgewickelt ist, und achten Sie darauf, dass es nicht mit irgendeinem Teil des Luftentfeuchters in Berührung steht.
- Um den Luftentfeuchter vollständig vom Stromnetz zu trennen, müssen Sie den Netzstecker aus der Steckdose ziehen.
- Verwenden Sie keine Verlängerungskabel oder -leitungen mit diesem Luftentfeuchter, da diese überhitzen und ein Brandrisiko darstellen können.
- Dieser Luftentfeuchter ist nicht für den Betrieb über eine externe Zeitschaltuhr oder ein separates Fernbedienungssystem ausgelegt.



Wichtige sicherheitshinweise

Einleitung

- Verwenden Sie diesen Luftentfeuchter nur in der in dieser Bedienungsanleitung beschriebenen Weise. Nicht vom Hersteller empfohlene Verwendung kann gefährlich sein und zum Beispiel Feuer und schwere Verletzungen durch elektrischen Schlag oder Verbrennungen verursachen.
- Der Hersteller haftet nicht für Schäden, die aus der Nichtbeachtung dieser Anweisungen resultieren.
- Dieser Luftentfeuchter darf nicht von Personen (einschließlich Kindern) mit eingeschränkten physischen, sensorischen oder geistigen Fähigkeiten oder mangelnder Erfahrung und Kenntnis benutzt werden, es sei denn, sie werden von einer für ihre Sicherheit verantwortlichen Person beaufsichtigt oder erhalten von einer solchen Person Anweisungen zum Gebrauch des Luftentfeuchters.
- Dieser Luftentfeuchter ist nur für den Gebrauch in Innenräumen und darf nicht im Freien oder für andere Zwecke verwendet werden.
- Lassen Sie den Luftentfeuchter während des Betriebs niemals unbeaufsichtigt.
- Lassen Sie Kinder oder Haustiere niemals allein oder unbeaufsichtigt in dem Bereich, in dem der Luftentfeuchter in Betrieb ist. Lassen Sie Kinder niemals mit dem Gerät spielen.

- Verdecken Sie das Netzkabel nicht, z. B. mit Teppichboden, Teppichen oder Läufern.
- Verlegen Sie das Netzkabel nicht in Bereichen, in denen es eine Stolperfalle darstellen kann.
- Verlegen Sie das Netzkabel nicht an einem nassen, feuchten oder heißen Ort.
- Das Netzkabel darf nicht geknickt oder gequetscht werden. Wickeln Sie das Netzkabel nicht um den Luftentfeuchter.

Standort und transport des luftentfeuchters

- Halten Sie den Luftentfeuchter während des Transports aufrecht. Warten Sie nach dem Transport mindestens eine Stunde, bevor Sie ihn einschalten.
- Stellen Sie sicher, dass der Luftentfeuchter aus der Steckdose gezogen ist, bevor Sie ihn transportieren.
- Verwenden Sie den Luftentfeuchter nicht in der Nähe von brennbaren Stoffen (z. B. Benzin, Alkohol, Farben, Gase), Druckbehältern (z. B. Spraydosen) oder Wärmequellen (z. B. Öfen, Heizungen).
- Verwenden Sie den Luftentfeuchter nicht auf schrägen Flächen. Halten Sie ihn immer in aufrechter Position, um Undichtigkeiten oder Gefahren zu vermeiden.
- Halten Sie den Luftentfeuchter mindestens 40 cm von umgebenden Wänden und Gegenständen entfernt.
- Legen Sie den Dauerabflussschlauch nicht ins Freie, wenn die Temperatur unter 0°C liegt.

Reinigung, wartung und lagerung

- Schalten Sie den Luftentfeuchter im Falle eines Fehlers oder einer Störung aus und wenden Sie sich an den Verkäufer oder Hersteller.
- Versuchen Sie nicht, elektrische oder mechanische Teile des Luftentfeuchters selbst oder mit Hilfe von nicht autorisiertem Personal zu reparieren oder einzustellen. Das ist gefährlich und führt zum Erlöschen der Garantie.
- Befolgen Sie bei der Reinigung des Luftentfeuchters stets die Empfehlungen des Herstellers.
- Stellen Sie vor jeder Reinigung oder Wartung sicher, dass der Luftentfeuchter vom Stromnetz getrennt und der Wassertank leer ist.
- Verwenden Sie keine ätzenden, lösungsmittelhaltigen oder scheuernden Reinigungsmittel, da diese den Luftentfeuchter beschädigen können. Tauchen Sie den Luftentfeuchter niemals in Wasser ein.

- Verwenden Sie den Luftentfeuchter nicht ohne Luftfilter. Reinigen Sie den Luftfilter regelmäßig.
- Ziehen Sie vor dem Entleeren des Wassertanks immer den Netzstecker des Luftentfeuchters.
- Entfernen Sie den Wassertank nicht, während der Luftentfeuchter in Betrieb ist. Das kann zu Flüssigkeitsaustritt aus dem Gerät führen.
- Entleeren Sie den Wassertank immer, bevor Sie den Luftentfeuchter zur Aufbewahrung wegstellen.
- Das Wasser, das sich im Luftentfeuchter ansammelt, ist kein Trinkwasser und muss entsorgt werden.

Betrieb

- Stecken Sie keine Gegenstände in den Lufteinlass oder -auslass oder andere Öffnungen des Luftentfeuchters. Dadurch kann das Gerät beschädigt und/oder ein elektrischer Schlag oder ein Brand verursacht werden.
- Lassen Sie kein Wasser oder andere Flüssigkeiten in das Innere des Geräts, da dies eine Feuer- und/oder elektrische Gefahr darstellen könnte.
- Bedienen Sie den Luftentfeuchter nicht mit nassen Händen oder Füßen.
- Stellen Sie keine Gegenstände auf dem Luftentfeuchter ab.
- Decken Sie den Luftentfeuchter nicht ab, während er in Betrieb ist.
- Beschleunigen Sie den Abtauvorgang des Luftentfeuchters nicht.

Recycling und entsorgung

- Die für diesen Luftentfeuchter verwendeten Verpackungsmaterialien können recycelt werden. Bitte entsorgen Sie die Verpackung umweltfreundlich. Erkundigen Sie sich bei Ihrer örtlichen Gemeindeverwaltung nach den Einzelheiten.
- Entsorgen Sie den Luftentfeuchter nicht mit dem normalen Hausmüll, sondern über eine zugelassene Entsorgungsstelle oder bei Ihrer kommunalen Abfallentsorgungseinrichtung. Wenden Sie sich im Zweifelsfall an Ihr Entsorgungszentrum oder Ihre örtliche Gemeindeverwaltung.

Spezifische Informationen zum Kältemittel R290-gas

Lesen Sie alle folgenden Warnhinweise gründlich durch



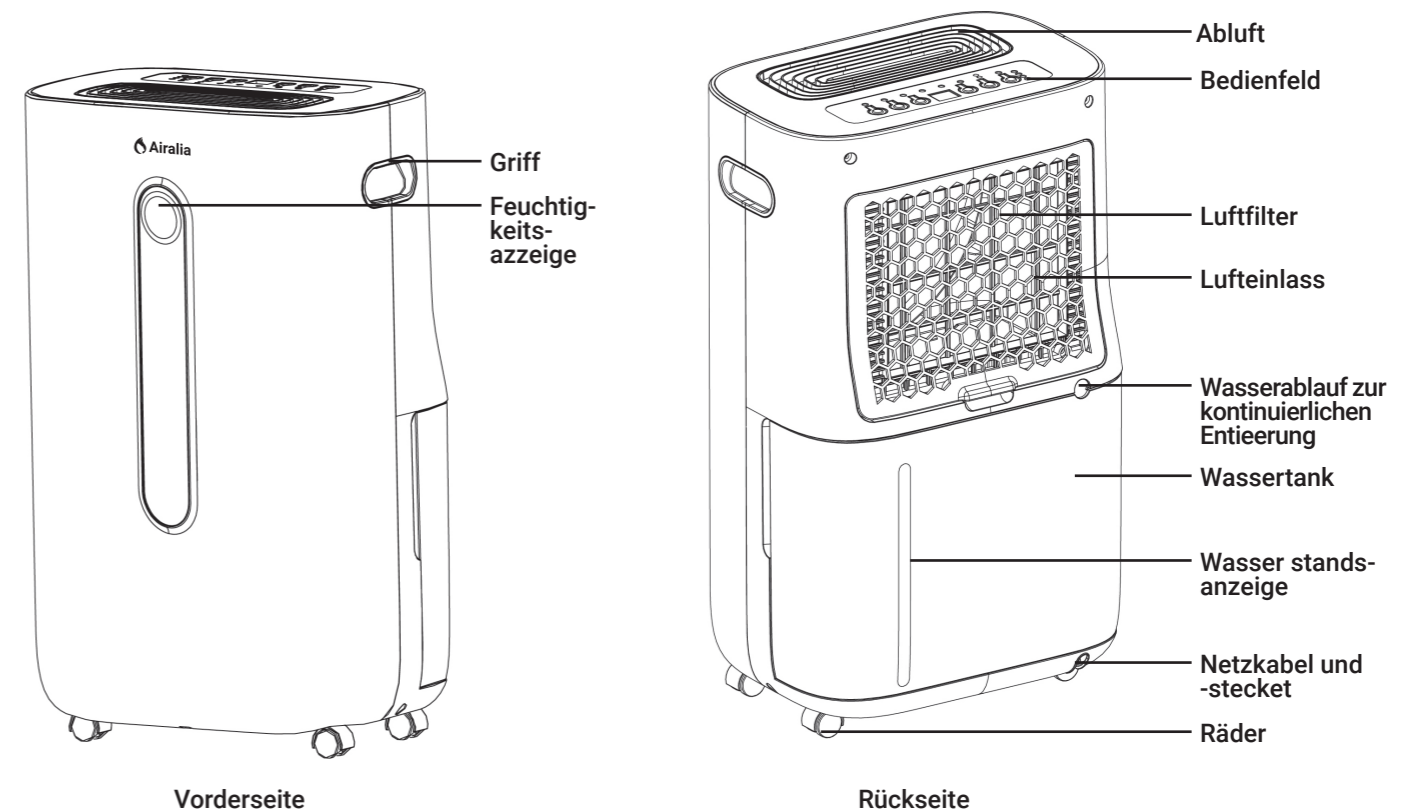
Vorsicht, Feuergefahr



- Dieser Luftentfeuchter enthält 60 g des Kältemittels R290.
- Der Luftentfeuchter muss in einem Bereich ohne ständige Zündquellen (z. B. offene Flammen, betriebsbereite Gas- oder Elektrogeräte) aufgestellt werden.
- Nicht beschädigen und nicht verbrennen.
- Beachten Sie, dass das Kältemittelgas R290 geruchlos ist.
- Der Luftentfeuchter muss in einem Bereich von mehr als 4 m² aufgestellt, betrieben und gelagert werden.
- Wenn der Luftentfeuchter in einem unbelüfteten Bereich aufgestellt, betrieben oder gelagert wird, muss der Raum so gestaltet sein, dass eine Ansammlung von Kältemittel, die zu Feuer- oder Explosionsgefahr aufgrund der Entzündung des Kältemittels durch elektrische Heizungen, Öfen oder andere Zündquellen führen kann, verhindert wird.
- Der Luftentfeuchter muss so gelagert werden, dass mechanisches Versagen vermieden wird.
- Personen, die den Kältemittelkreislauf betreiben oder daran arbeiten, müssen über die entsprechende, von einer akkreditierten Organisation ausgestellte Qualifikation verfügen, welche die Kompetenz im Umgang mit Kältemitteln gemäß einer spezifischen, von den Verbänden der Branche anerkannten Begutachtung sicherstellt.
- Reparaturen müssen auf Grundlage der Empfehlungen des Herstellers durchgeführt werden. Wartungs- und Reparaturarbeiten, die die Hilfe anderer qualifizierter Personen erfordern, müssen unter Aufsicht einer Person durchgeführt werden, die auf den Umgang mit brennbaren Kältemitteln spezialisiert ist.
- Beschädigen Sie den Kältemittelkreislauf nicht.

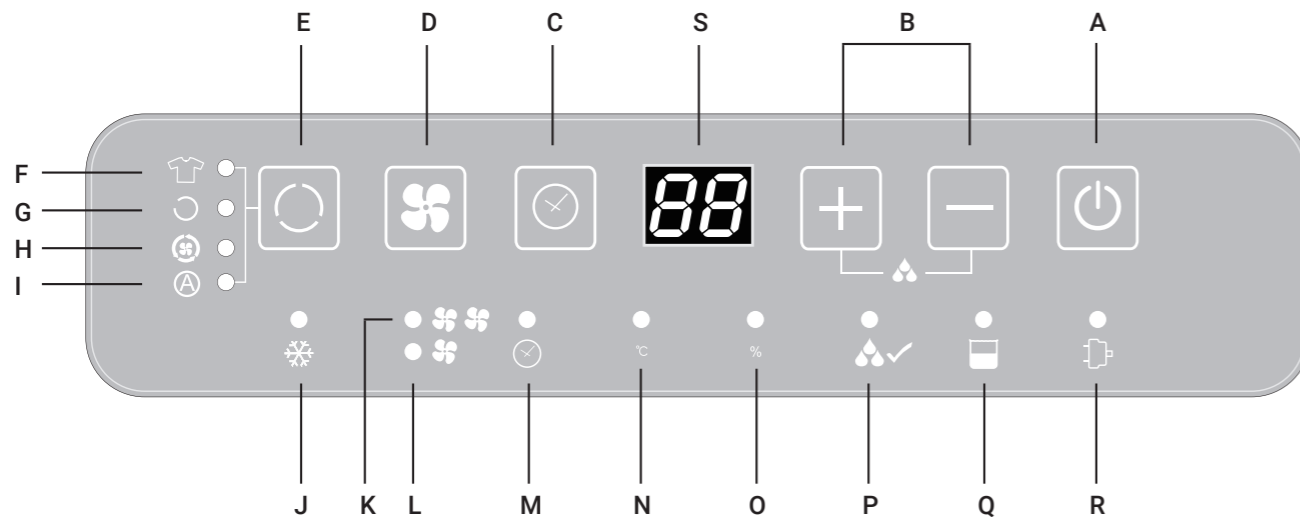
Technische Daten & teilebeschreibung

Modell-Nr.	AIR-DH20
Größe	565 x 340 x 240 mm
Nettogewicht	14 kg
Stromzufuhr	AC220V - 240V ~ 50Hz
Eingangsleistung	420W
Entfeuchtungskapazität	ca. 20 L pro Tag bei 30°C; 80%
Kapazität des Wassertanks	6,5 L
Betriebstemperatur	5 – 32°C
Kältemittelgas	R290/60g
Hygrometer	Ja
Ventilatorumdrehzahl	2 Drehzahlen - Hoch (Turbo)/Niedrig
Luftfilter	Ja



+ Verwendungs- und betrieb

Bedienfeld



A - Netztaaste: Drücken Sie diese Taste, um den Luftentfeuchter EIN oder AUS zu schalten. Wenn der Luftentfeuchter eingeschaltet ist, zeigt das Display (S) die aktuelle relative Luftfeuchtigkeit in Prozent an.

B - Luftfeuchtigkeitsregler: Drücken Sie + oder –, um die gewünschte relative Luftfeuchtigkeit (RF) zwischen 30 % und 80 % in 5 %-Schritten im normalen Entfeuchtungsmodus einzustellen. Der Luftentfeuchter schaltet sich aus, wenn der Raum die Ziel-RF% erreicht.

C - Zeitschaltuhr: Mit dieser Funktion schalten Sie den Luftentfeuchter automatisch für einen ausgewählten Zeitraum (zwischen 1 und 24 Stunden) ein oder aus. Der gewählte Zeitraum wird auf dem Display (S) angezeigt.

Auto-AUSSCHALTEN: Drücken Sie die Zeitschaltuhr-Steuertaste, während der Luftentfeuchter eingeschaltet ist.

Der Anzeigebildschirm blinkt. Drücken Sie + oder –, um auf dem Anzeigebildschirm die Anzahl der Stunden auszuwählen, die der Luftentfeuchter laufen soll, bevor er sich ausschaltet. Wenn Sie die gewünschte Zeit eingegeben haben, warten Sie 5 Sekunden, bis die Zeitschaltuhr-Kontrolllampe (M) zur Bestätigung, dass die Zeitschaltuhr eingestellt ist, leuchtet.

Auto-EINSCHALTEN: Drücken Sie die Zeitschaltuhr-Steuertaste, während der Luftentfeuchter ausgeschaltet ist.

Das Display blinkt. Drücken Sie + oder –, um auf dem Anzeigebildschirm die Anzahl der Stunden auszuwählen, bevor der Luftentfeuchter laufen soll. Wenn Sie die gewünschte Zeit eingegeben haben, warten Sie 5 Sekunden, bis die Zeitschaltuhr-Kontrolllampe (M) zur Bestätigung, dass die Zeitschaltuhr eingestellt ist, leuchtet.

Sie können jetzt die Drehzahl des Ventilators des Luftentfeuchters (über die Taste D) und den Modus (über die Taste E) einstellen. Wenn Sie nichts wählen, wird die vorherige Drehzahl- und Feuchtigkeitseinstellung verwendet.

Um die Zeitschaltuhrfunktion nach dem Einstellen zu deaktivieren, drücken Sie zweimal auf die Zeitschaltuhr-Steuertaste.

D - Ventilatorleistung: Verwenden Sie diese Funktion, um die Extraktionsleistung des Luftentfeuchters im Normalmodus oder im Lüftungsbetrieb hoch (turbo) oder niedrig zu stellen.

E - Modus: Verwenden Sie diese Funktion, um zwischen den folgenden Betriebsarten zu wechseln:

Wäschemodus

Verwenden Sie diesen Modus, um Kleidung schneller zu trocknen. Der Luftentfeuchter ist kontinuierlich mit maximaler Entfeuchtungsleistung in Betrieb. Die Einstellfunktionen für Drehzahl und Luftfeuchtigkeit sind in diesem Modus deaktiviert.

Lüftungsbetrieb

In diesem Modus wird die Luft im Raum über den Rückluftfilter gefiltert und mit der gewählten Drehzahl (über Taste D) wieder in den Raum zurückgeführt. In diesem Modus wird die Entfeuchtungsfunktion nicht genutzt, es läuft nur der Ventilator.

Normalmodus

Verwenden Sie diesen Modus, um die Ventilatorleistung (über Taste D) und die relative Ziel-Luftfeuchtigkeit (über Taste B) manuell einzustellen. Der Luftentfeuchter schaltet sich aus, wenn der Raum die Ziel-RF% erreicht.

Automatik-Betrieb (Kontinuierlich)

In diesem Modus ist die relative Ziel-Luftfeuchtigkeit auf 55 % festgelegt und die Drehzahl des Ventilators automatisch geregelt:

- Die Ventilatorleistung wird automatisch hoch (turbo) eingestellt, wenn die relative Luftfeuchtigkeit im Raum höher als 70 % ist, bis sie auf 67 % gesenkt wurde.
- Die Ventilatorleistung wird automatisch niedrig eingestellt, wenn die relative Luftfeuchtigkeit des Raums niedriger als 67% ist.

F - Wäschemodus-Anzeige: Zeigt Wäschemodus an.

G - Normalmodus-Anzeige: Zeigt Normalmodus an.

H - Lüftungsbetrieb-Anzeige: Zeigt Lüftungsbetrieb an.

I - Automatik-Betrieb-Anzeige: Zeigt Automatik-Betrieb an.

J - Abtau-Anzeige: Zeigt an, dass das Gerät abtau (weitere Informationen finden Sie im Abschnitt "Abtaubetrieb").

K/L - Ventilatorleistung: Zeigt die Leistung der Ventilatorleistung des Luftentfeuchters an.

☼ Niedrig | ☼☼ Hoch (Turbo)

M - Zeitschaltuhr-Anzeige: Zeigt an, dass die Zeitschaltuhr eingestellt ist.

N - Temperatur-Anzeige: Halten Sie die Taste + (B) 5 Sekunden lang gedrückt, bis die Temperatur-Anzeige aufleuchtet (°C). Dadurch wird die aktuelle Raumtemperatur auf dem Display (S) angezeigt.

O - Luftfeuchtigkeits-Anzeige: Zeigt an, wenn eine relative Ziel-Luftfeuchtigkeit in % eingestellt ist.

P - Ziel-Luftfeuchtigkeitsanzeige: Zeigt an, wenn der Zielwert der relativen Luftfeuchtigkeit % erreicht ist.

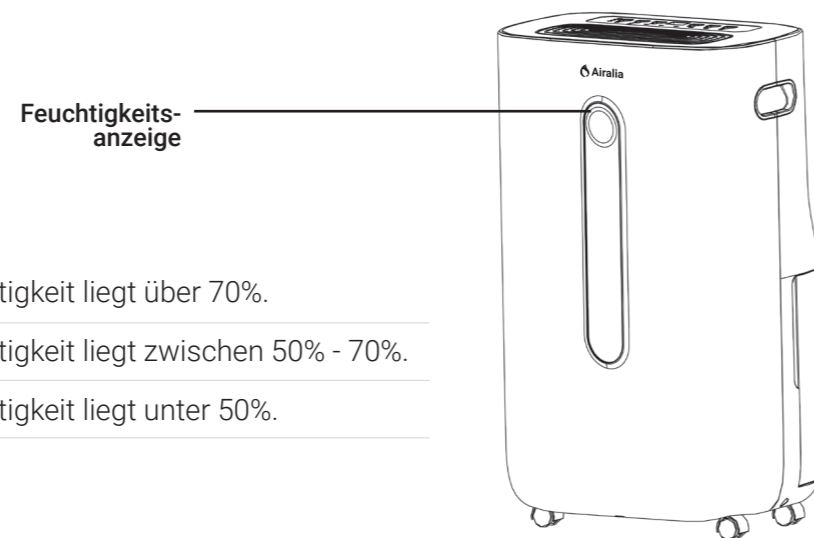
Q - Anzeige für vollen Wassertank: Zeigt an, wenn der Wassertank des Luftentfeuchters voll ist, entfernt wurde oder falsch eingesetzt ist.

R - Stromversorgungs-Anzeige: Zeigt an, wenn der Luftentfeuchter eingeschaltet ist.

S - Anzeige-Display: Zeigt Informationen zum Betrieb des Luftentfeuchters an (relative Ziel-Luftfeuchtigkeit %, aktuelle relative Raum-Luftfeuchtigkeit %, Zeitschaltuhr-Einstellungen, Raumtemperatur)

Kindersicherung: Die Bedienelemente des Luftentfeuchters können zur Sicherheit von Kindern gesperrt werden. Halten Sie die **Zeitschaltuhr-Steuerungstaste** 5 Sekunden lang gedrückt, um das Bedienfeld zu sperren und zu entsperren. Das Display zeigt **[LC]**.

Luftfeuchtigkeitsanzeige: Zeigt die aktuelle relative Luftfeuchtigkeit mit drei verschiedenen Farben an:



Rot	Die aktuelle relative Luftfeuchtigkeit liegt über 70%.
Grün	Die aktuelle relative Luftfeuchtigkeit liegt zwischen 50% - 70%.
Blau	Die aktuelle relative Luftfeuchtigkeit liegt unter 50%.

Entleeren des wassers

Entleeren des im wassertank gesammelten wassers

Das Kondensatwasser des Luftentfeuchters wird im Wassertank gesammelt.

Wenn der Wassertank voll ist, stoppt der Luftentfeuchter automatisch und die Anzeige "Tank voll" (Q) leuchtet auf dem Bedienfeld, begleitet von einem Piepton. Führen Sie die folgenden Schritte aus, um den Wassertank zu entleeren:

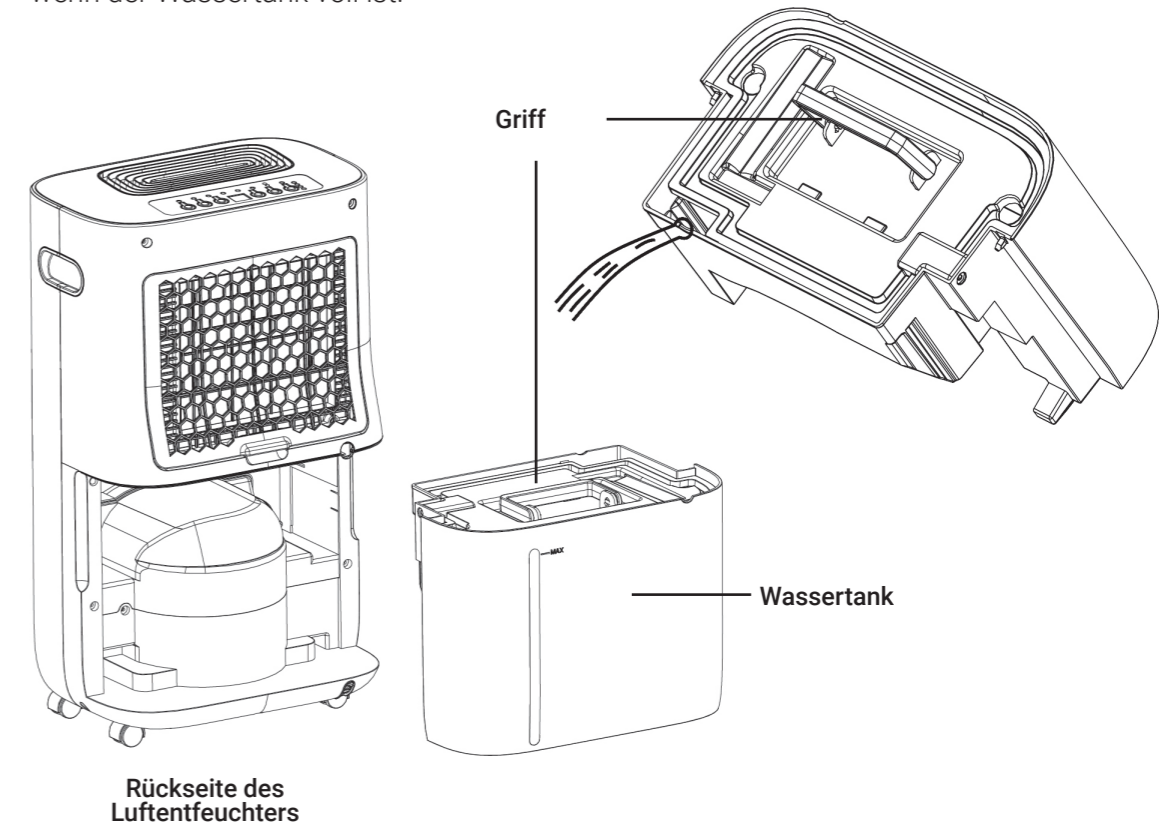
Schritt 1: Schalten Sie den Luftentfeuchter durch Drücken der Netztaaste (A) aus.

Schritt 2: Der Wassertank ist auf der Rückseite des Luftentfeuchters. Ziehen Sie ihn vorsichtig heraus.

Schritt 3: Benutzen Sie den Griff des Wassertanks, um ihn in ein Waschbecken oder eine Badewanne zu entleeren.

Schritt 4: Setzen Sie den leeren Wassertank wieder in den Luftentfeuchter ein und achten Sie dabei auf die richtige Position. Eine falsche Ausrichtung des Tanks verhindert, dass der Luftentfeuchter wieder anläuft, und die Anzeige „Tank voll“ leuchtet weiter.

Entfernen Sie niemals den Schwimmer, der sich im Inneren des Wassertanks befindet. Er wird vom Luftentfeuchter verwendet, um die Entfeuchtung automatisch zu stoppen, wenn der Wassertank voll ist.



Kontinuierliche externe wasserentleerung

Es wird empfohlen, die Dauerentleerungsfunktion zu verwenden, wenn das Gerät über einen längeren Zeitraum verwendet wird und der Wassertank nicht regelmäßig geleert werden kann. Führen Sie die folgenden Schritte aus, um diese Funktion zu verwenden:

Schritt 1: Schalten Sie den Luftentfeuchter durch Drücken der Netztaaste (A) aus.

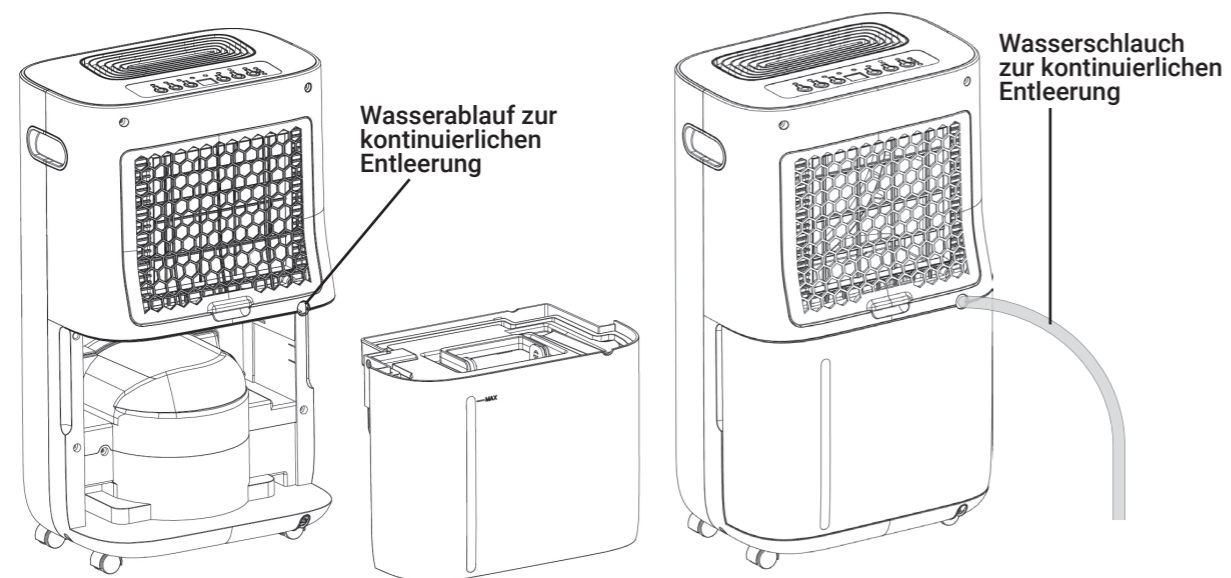
Schritt 2: Der Wassertank befindet sich auf der Rückseite des Luftentfeuchters. Ziehen Sie den Wassertank vorsichtig heraus.

Schritt 3: Der Wasserablauf zur kontinuierlichen Entleerung befindet sich auf der Rückseite des Luftentfeuchters.

Schritt 4: Stecken Sie den Schlauch in den Ablaufstutzen und achten Sie auf korrekten Sitz des Schlauches.

Schritt 5: Setzen Sie den leeren Wassertank wieder in den Luftentfeuchter ein und achten Sie dabei auf die richtige Position. Eine falsche Ausrichtung des Tanks verhindert, dass der Luftentfeuchter wieder anläuft, und die Anzeige „Tank voll“ leuchtet weiter.

Schritt 6: Positionieren Sie das andere Ende des Schlauchs in ein Waschbecken oder einen Abfluss. Achten Sie darauf, dass das Wasser im Schlauch abfließen kann, indem Sie den Schlauch frei von Knicken oder Krümmungen und in einem Winkel nach unten verlegen. Sie können jetzt den Luftentfeuchter einschalten.



Reinigung des wassertanks

Reinigen Sie den Wassertank des Luftentfeuchters alle 2 bis 3 Wochen, um eine Ansammlung von Schmutz und das Wachstum von Schimmel, Mehltau und Bakterien zu vermeiden.

Gießen Sie dazu eine Mischung aus sauberem Wasser und milder Seife in den Tank. Schwenken Sie das Wasser um und leeren Sie den Tank. Spülen Sie den Tank gründlich, bevor Sie ihn wiedereinsetzen.

Reinigung des filters

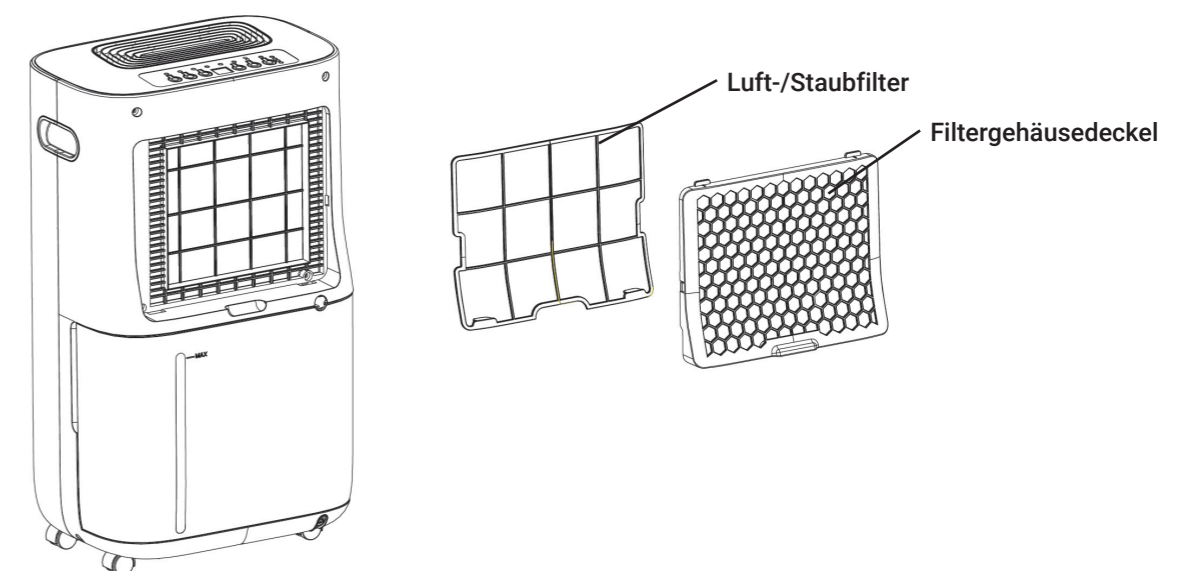
Reinigen Sie den Luft-/Staubfilter des Luftentfeuchters alle zwei Wochen. Ein verschmutzter Filter kann die Effizienz des Luftentfeuchters verringern. Um den Filter zu reinigen, gehen Sie wie folgt vor:

Schritt 1: Entfernen Sie den Filtergehäusedeckel vom Luftentfeuchter. Dieser befindet sich auf der Rückseite des Geräts.

Schritt 2: Ziehen Sie den Nylonfilter vorsichtig aus dem Filtergehäusedeckel.

Schritt 3: Verwenden Sie ein feuchtes Tuch oder einen Staubsauger mit Bürstenaufsatz, um den Staub vorsichtig aus dem Filter zu entfernen.

Schritt 4: Wenn der Filter zu stark verschmutzt ist, kann er mit kaltem Wasser abgespült und anschließend vollständig getrocknet werden, bevor er wieder eingesetzt wird.



Reinigung des luftentfeuchters

WARNUNG: Schalten Sie den Luftentfeuchter immer aus und ziehen Sie den Netzstecker aus der Steckdose, bevor Sie Reinigungs- oder Wartungsarbeiten durchführen.

Reinigung des geräts

Reinigen Sie die Oberflächen des Luftentfeuchters mit einem weichen Tuch. Verwenden Sie niemals ätzende, lösungsmittelhaltige oder scheuernde Reinigungsmittel, da dies den Luftentfeuchter beschädigen kann.

Sie können einen Staubsauger mit Bürstenaufsatz verwenden, um die Ansaug- und Abluftgitter vorsichtig zu reinigen.

Abtaubetrieb

An den internen Spulen des Geräts kann sich Eis bilden. Wenn dies geschieht, wird die Entfeuchtungsfunktion automatisch gestoppt und der Ventilator des Geräts läuft weiter, bis das Eis geschmolzen ist. Das dauert nur ein paar Minuten, und sobald die internen Spulen abgetaut sind, wird der Entfeuchtungsbetrieb wieder aufgenommen.



Während des Abtaubetriebs leuchtet die Abtauanzeige (J) auf dem Bedienfeld auf. Schalten Sie den Luftentfeuchter nicht aus, während das Gerät abtaut.

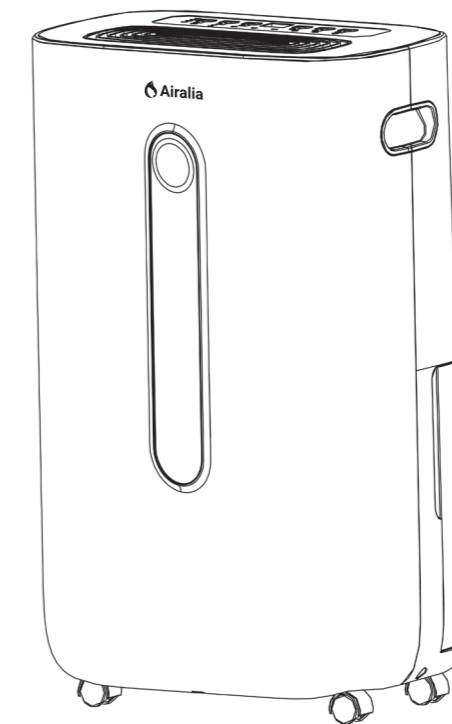
Nützliche Informationen / tipps

- Dieser Luftentfeuchter ist mit einer Sicherheitsfunktion ausgestattet, die verhindert, dass Betreiber den Kompressor zu häufig ein- und ausschalten. Diese Funktion verzögert die Entfeuchtungsfunktion, bis das Gerät für 3 Minuten eingeschaltet ist.
- Immer wenn der Luftentfeuchter eingeschaltet wird, verwendet er die vor dem letzten Ausschalten gewählten Einstellungen.
- Im Fall eines Stromausfalls während des Betriebs des Luftentfeuchters, startet der Luftentfeuchter nach Wiederherstellung der Stromversorgung automatisch, wobei alle vor dem Ausfall gewählten Einstellungen beibehalten werden.
- Luftentfeuchter mit Verdichtern erzeugen während des Entfeuchtungsvorgangs Wärme. Die Temperatur der Luft, die aus der Abluftöffnung austritt, hängt von der Raumumgebung und dem Verdichterbetrieb ab. Die Temperaturschwankungen sind dabei normal.



Manual de instrucciones

Deshumidificador 20L | Modelo AIR-DH20



Instruction manual EN

Bedienungsanleitung DE

Manual de instrucciones ES

Manuel d'utilisation FR

Manuale di istruzioni IT

Gracias

Gracias por adquirir este deshumidificador Airalia.

30 Advertencias de seguridad importantes.

34 Información específica sobre el gas refrigerante R290.

35 Especificaciones técnicas y descripción de las piezas.

36 Uso y funcionamiento.

38 Drenaje del agua.

40 Limpieza del deshumidificador.

42 Operación de descongelación.

42 Información / consejos útiles.

Antes utilizar este deshumidificador, por favor, lea este manual de instrucciones con detenimiento y guárdelo para futuras consultas.

Antes de usar

- Antes de ponerlo en funcionamiento retire todos los materiales de embalaje y compruebe el estado del deshumidificador. No use el deshumidificador si presenta signos de estar dañado.
- Antes de su uso verifique siempre que el cable de alimentación se encuentra en buen estado. Si el cable de alimentación está dañado, entonces debe ser reemplazado por el fabricante o un técnico cualificado.
- Mantenga los materiales de embalaje (bolsas de plástico, espuma de poliestireno) fuera del alcance de los niños.

Conexión y desconexión del deshumidificador

- Asegúrese de que la red de alimentación cumple con las especificaciones eléctricas (tensión, frecuencia y potencia) indicadas en la etiqueta de clasificación del deshumidificador. Asegúrese de que el enchufe sea el adecuado para la clavija del deshumidificador.
- Este deshumidificador se debe conectar a un enchufe con toma de tierra.
- Para evitar sobrecargar el circuito en el que está conectado el deshumidificador, no utilice otro dispositivo que consuma mucha potencia en ese mismo circuito.
- Enchufe y desenchufe el deshumidificador utilizando siempre la propia clavija eléctrica.
- No tire del cable de alimentación para desconectar la clavija del enchufe. Así mismo, nunca mueva, transporte o cuelgue el deshumidificador utilizando el cable de alimentación.
- Asegúrese de que el cable de red está completamente extendido antes de su uso y no permita que entre en contacto con ninguna parte del deshumidificador.
- Para desconectar por completo el deshumidificador de la red eléctrica debe desconectarlo del enchufe.
- No utilice cables de extensión con este deshumidificador, ya que pueden sobrecalentarse y provocar un riesgo de incendio.
- Este deshumidificador no está diseñado para usarse con un temporizador externo o un sistema de control remoto independiente.
- No cubra el cable de alimentación, por ejemplo debajo de alfombras, tapetes ni cintas.
- No coloque el cable de alimentación en zonas donde pueda suponer un riesgo por tropiezos.
- No coloque el cable de alimentación en un lugar mojado, húmedo o caliente.
- No corte ni pliegue el cable de alimentación. No enrolle el cable de alimentación alrededor del deshumidificador.



Advertencias de seguridad importantes

Introducción

- Utilice este deshumidificador únicamente tal y como se describe en este manual. Cualquier otro uso no recomendado por el fabricante puede provocar situaciones peligrosas, incluyendo, entre otras, incendios y lesiones graves por descarga eléctrica y quemaduras.
- El fabricante no se hace responsable de los daños ocasionados por no seguir estas instrucciones.
- Este deshumidificador no está diseñado para ser usado por personas (incluyendo niños) con capacidades físicas, sensoriales o mentales reducidas, o con falta de experiencia o conocimiento, a menos que una persona responsable de su seguridad les supervise o informe adecuadamente sobre el uso de este deshumidificador.
- Este deshumidificador está diseñado exclusivamente para un uso doméstico en interiores y no debe ser utilizado al aire libre o para otros fines.
- No deje nunca desatendido el deshumidificador mientras esté en uso.
- No deje nunca a niños o mascotas solos o sin vigilancia en el área donde el deshumidificador está en uso. No permita bajo ningún concepto que los niños jueguen con este dispositivo.
- Si el deshumidificador se transfiere a otros usuarios, debe ir siempre acompañado de estas instrucciones.

Transporte y ubicación del deshumidificador

- Mantenga el deshumidificador en posición vertical durante su transporte. Después de transportar el deshumidificador espere al menos una hora antes de encenderlo.
- Asegúrese de que el deshumidificador está desconectado del enchufe eléctrico antes de moverlo.
- No utilice el deshumidificador cerca de sustancias inflamables (por ejemplo, gasolina, alcohol, pinturas o gases), recipientes a presión (por ejemplo, botes con aerosoles) o fuentes de calor (por ejemplo, hornos o calentadores).
- No utilice el deshumidificador en superficies inclinadas. Manténgalo siempre en posición vertical para evitar que se produzcan fugas o situaciones peligrosas.
- Mantenga el deshumidificador al menos a 40 cm de distancia respecto a los objetos y paredes circundantes.
- No coloque el tubo de drenaje continuo en el exterior cuando las temperaturas sean inferiores a 0 °C.

Limpieza, mantenimiento y almacenamiento

- En caso de avería o mal funcionamiento, apague el deshumidificador y póngase en contacto con el vendedor o el fabricante.
- No intente reparar o ajustar ningún tipo de elemento eléctrico o mecánico del deshumidificador usted mismo ni con la ayuda de personal no autorizado. Hacerlo es peligroso y anula su garantía.
- Cuando limpie el deshumidificador siga siempre las recomendaciones del fabricante.
- Antes de cada sesión de mantenimiento o limpieza asegúrese de que el deshumidificador está desconectado de la red eléctrica y el depósito de agua está vacío.
- No utilice limpiadores corrosivos, a base de disolventes o abrasivos, ya que pueden dañar el deshumidificador. No sumerja nunca el deshumidificador en agua.
- No utilice el deshumidificador sin el filtro de aire. Limpie el filtro de aire con frecuencia.
- Desenchufe siempre el deshumidificador antes de vaciar el depósito de agua.
- No retire el depósito de agua mientras el deshumidificador esté en uso. Esto puede hacer que tenga fugas.
- Vacíe siempre el depósito de agua antes de retirar el deshumidificador para almacenarlo.
- El agua que se acumula en el deshumidificador no es potable y, por tanto, debe desecharse.

Uso

- No introduzca ni permita que entren objetos en las aberturas o rejillas de ventilación del deshumidificador. Esto puede dañar el equipo o provocar descargas eléctricas o incendios.
- No deje que entre agua u otros líquidos en el interior del equipo, ya que esto podría generar un riesgo eléctrico o de incendio.
- No utilice el deshumidificador con las manos o los pies mojados.
- No coloque nada encima del deshumidificador.
- No cubra el deshumidificador mientras está en uso.
- No utilice ningún tipo de método para acelerar el proceso de descongelación del deshumidificador.

Reciclaje y eliminación

- Los materiales de embalaje utilizados en este deshumidificador se pueden reciclar. Por favor, deshágase de los materiales de embalaje de una forma respetuosa con el medio ambiente. Consulte con su ayuntamiento para obtener más detalles.
- No tire el deshumidificador junto con la basura doméstica sino a través de un centro de recogida de residuos autorizado o en el correspondiente punto limpio de su localidad. En caso de duda, póngase en contacto con el centro de recogida de basuras y residuos de su localidad o con su ayuntamiento.

Información específica sobre el gas refrigerante R290

Lea atentamente todas las siguientes advertencias



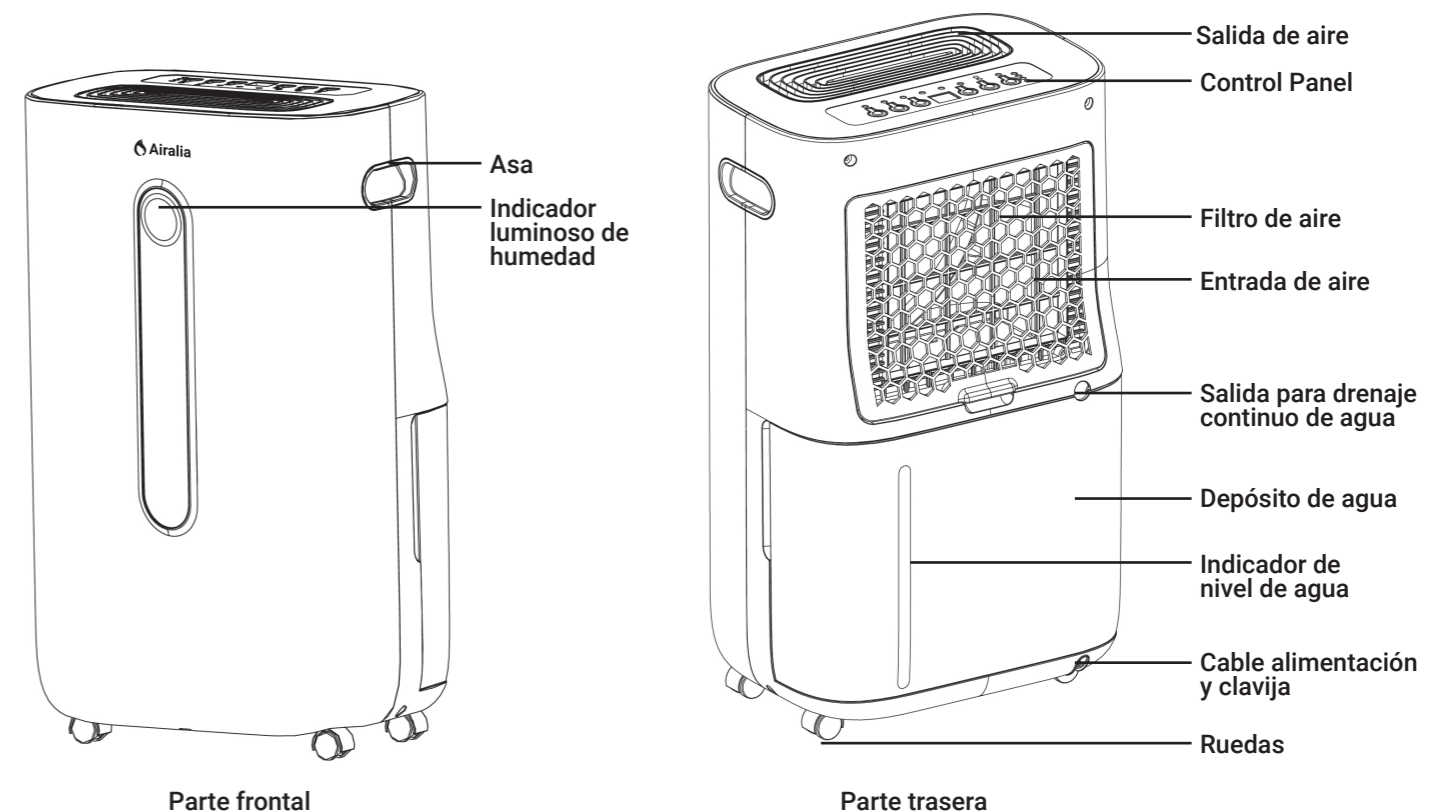
Precaución, riesgo de incendio



- Este deshumidificador contiene 60 g de gas refrigerante R290.
- El deshumidificador debe colocarse en un área sin fuentes continuas de combustión (por ejemplo: llamas abiertas, aparatos eléctricos o de gas en funcionamiento).
- No realice perforaciones ni queme nada.
- Tenga en cuenta que el gas refrigerante R290 es inodoro.
- El deshumidificador se debe instalar, utilizar y almacenar en un área mayor de 4 m².
- Si el deshumidificador se instala, utiliza o almacena en un área no ventilada, la habitación debe estar diseñada para evitar la acumulación de fugas de refrigerante que podrían provocar un incendio o una explosión debido a la combustión de refrigerante causada por calentadores eléctricos, estufas u otras fuentes de combustión.
- El deshumidificador se debe almacenar de manera que evite cualquier fallo mecánico.
- Las personas que operen o trabajen sobre el circuito refrigerante deben tener la certificación apropiada concedida por una organización acreditada que garantice la competencia en la manipulación de refrigerantes según una evaluación específica reconocida por las correspondientes asociaciones industriales.
- Las reparaciones deben realizarse en base a las recomendaciones del fabricante. El mantenimiento y las reparaciones que requieran la asistencia de otro personal cualificado deben realizarse bajo la supervisión de una persona especializada en el uso de refrigerantes inflamables.
- No perforo ninguna parte del circuito refrigerante.

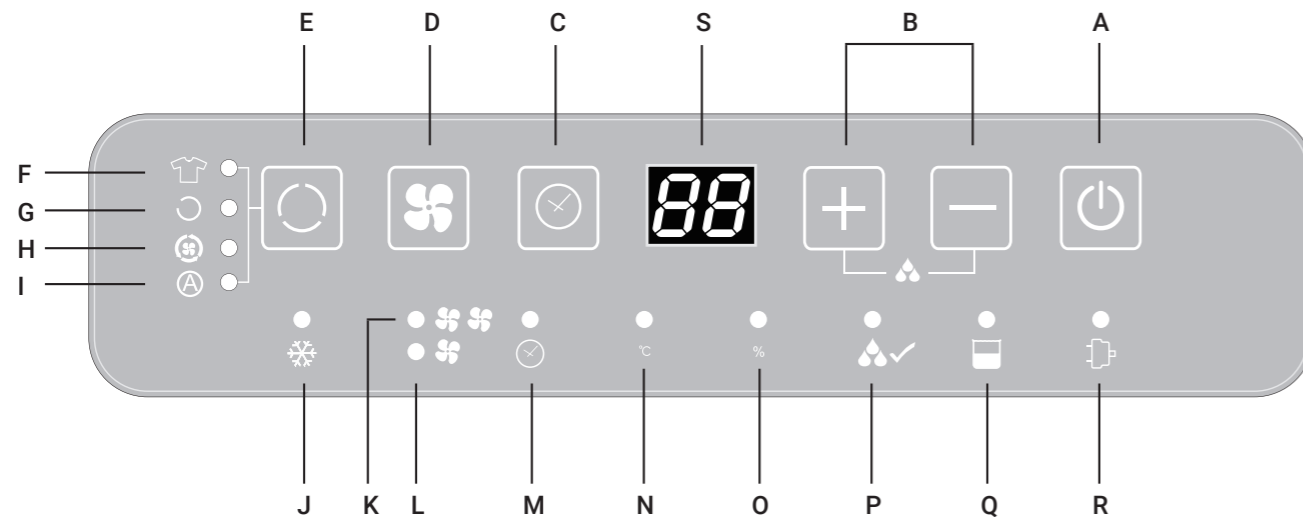
Especificaciones técnicas y descripción de las piezas

Núm. de modelo	AIR-DH20
Tamaño	565 x 340 x 240 mm
Peso neto	14 kg
Fuente de alimentación	CA 220 V - 240 V ~ 50 Hz
Potencia de entrada	420 W
Capacidad de deshumidificación	Aprox. 20 litros al día a 30°C, 80%
Capacidad del depósito de agua	6,5 l
Temperatura de funcionamiento	5 – 32 °C
Gas refrigerante	R290 / 60 g
Higrómetro	Sí
Velocidad del ventilador	2 velocidades - Alta (Turbo)/Baja
Filtro de aire	Sí



Uso y funcionamiento

Panel de control



A - Botón de encendido: Pulse este botón para encender (ON) o apagar (OFF) el deshumidificador. Cuando el deshumidificador está encendido, la pantalla de visualización (S) muestra el porcentaje actual de humedad relativa.

B - Ajuste del control de la humedad: Pulse + o - para establecer el nivel preferido de humedad relativa (RH) entre 30% y 80% en incrementos del 5% durante el modo de deshumidificación normal. El deshumidificador se apagará cuando la habitación alcance la humedad relativa (RH%) objetivo.

C - Control del temporizador: Utilice esta función para encender o apagar automáticamente el deshumidificador durante un período de tiempo seleccionado (entre 1 y 24 horas). El período seleccionado se muestra en la pantalla (S).

Temporizador de apagado automático: Pulse el botón de control del temporizador mientras el deshumidificador está encendido.

La pantalla parpadeará. Pulse + o - para seleccionar en la pantalla el número de horas que desea que el deshumidificador esté funcionando antes de apagarse. Una vez introducido el tiempo deseado, espere 5 segundos y la luz indicadora del temporizador (M) se iluminará para confirmar que el temporizador está configurado.

Temporizador de encendido automático: Pulse el botón de control del temporizador mientras el deshumidificador está apagado.

La pantalla parpadeará. Pulse + o - para seleccionar en la pantalla el número de horas que desea que transcurran antes de que el deshumidificador empiece a funcionar. Una vez introducido el tiempo deseado, espere 5 segundos y la luz indicadora del temporizador (M) se iluminará para confirmar que el temporizador está configurado.

A continuación ya puede ajustar la velocidad del ventilador del deshumidificador (mediante el botón D) y el modo (mediante el botón E). Si no se selecciona nada se utilizará el ajuste previo de velocidad y modo.

Para desactivar la función del temporizador después haberlo establecido, pulse dos veces el botón de control del temporizador.

D - Velocidad del ventilador: Utilice esta función para ajustar la potencia de extracción del deshumidificador a una de las dos opciones disponibles en el modo normal o ventilación: alta (turbo)/baja.

E - Modo: Utilice esta función para cambiar entre los siguientes modos de funcionamiento:



Modo Secado de Ropa

Utilice este modo para secar la ropa más rápidamente. El deshumidificador funciona de forma continua a su máxima capacidad de deshumidificación. En este modo las funciones para ajustar la velocidad y el control de la humedad están desactivadas.



Modo Ventilación

En este modo el aire de la habitación se filtra a través del filtro de aire y se devuelve a la habitación a la velocidad seleccionada (mediante el botón D). Este modo no utiliza la función de deshumidificación, tan solo hace girar el ventilador.



Modo Normal

Utilice este modo para ajustar manualmente la velocidad del ventilador (mediante el botón D) y la humedad relativa objetivo (mediante el botón B). El deshumidificador se apagará cuando la habitación alcance la humedad relativa (RH%) objetivo.



Modo Automático (Continuo)

En este modo, la humedad relativa objetivo se fija en el 55% y la velocidad del ventilador se controla de forma automática:

- La velocidad del ventilador se ajusta automáticamente a «alta» (turbo) cuando la humedad relativa de la habitación es superior al 70% y hasta que se reduce al 67%.
- La velocidad del ventilador se ajusta automáticamente a «Baja» cuando la humedad relativa de la habitación es inferior a 67%.

F - Indicador de Modo Secado de Ropa: Indica si el Modo Secado de Ropa está seleccionado.

G - Indicador de Modo Normal: Indica si el Modo Normal está seleccionado.

H - Indicador de Modo Ventilación: Indica si el Modo Ventilación está seleccionado.

I - Indicador de Modo Automáticos: Indica si el Modo Automático está seleccionado.

J - Indicador de descongelación: Indica si la unidad está descongelando (consulte la sección sobre descongelación para obtener más información)

K/L - Indicador de velocidad del ventilador: Indica la potencia de la velocidad del ventilador del deshumidificador.
 ✱ Baja | ✱✱ Alta (Turbo)

M - Indicador del temporizador: Indica si el temporizador está establecido.

N - Indicador de temperatura: Mantenga pulsado el botón + (B) durante 5 segundos hasta que la luz del indicador de temperatura muestre (°C). Esto mostrará la temperatura actual de la estancia en la pantalla (S).

O - Indicador de humedad: Indica si se ha establecido un % de humedad relativa objetivo.

P - Indicador de humedad objetivo: Indica si se ha alcanzado el % de humedad relativa objetivo.

Q - Indicador de depósito de agua lleno: Indica si el depósito de agua del deshumidificador está lleno, si se ha retirado o si está colocado incorrectamente.

R - Indicador de encendido: Indica si el deshumidificador está encendido.

S - Pantalla: Muestra información relacionada con el funcionamiento del deshumidificador (% de humedad relativa objetivo, % humedad relativa ambiente actual, ajustes del temporizador, temperatura ambiente).

Bloqueo infantil: Los controles del deshumidificador se pueden bloquear por la seguridad de los niños. Mantenga pulsado el botón del **Control del Temporizador (C)** durante 5 segundos para bloquear y desbloquear el panel de control. La pantalla mostrará el mensaje **[LC]**.

Luz indicadora de humedad: Indica el porcentaje de humedad relativa actual con tres colores diferentes:

Luz roja La humedad relativa actual está por encima del 70 %.

Luz verde La humedad relativa actual está entre el 50 % y el 70 %.

Luz azul La humedad relativa actual está por debajo del 50 %.



Drenaje del agua

Drenaje del agua acumulada en el depósito de agua

El agua condensada por el deshumidificador se acumula directamente en el depósito de agua.

Cuando el depósito de agua está lleno, el deshumidificador se detiene automáticamente y el indicador «depósito de agua lleno» (Q) se enciende en el panel de control a la vez que emite un pitido. Siga estos pasos para vaciar el depósito de agua:

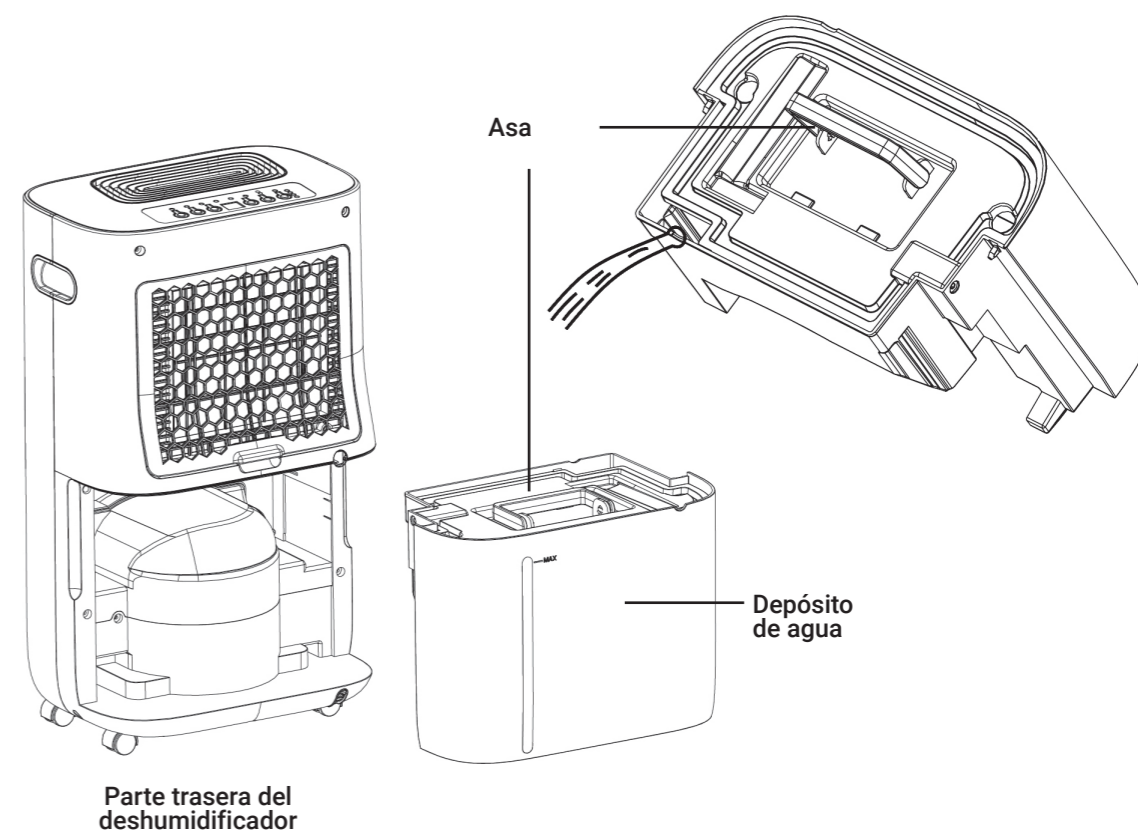
Paso 1: Apague el deshumidificador pulsando el botón de encendido (A).

Paso 2: Localice el depósito de agua en la parte posterior del deshumidificador y tire suavemente para sacarlo.

Paso 3: Utilice el asa del depósito de agua para vaciarlo en un lavabo, un fregadero o en una bañera.

Paso 4: Coloque de nuevo el depósito de agua vacío en el deshumidificador asegurándose de que esté correctamente colocado. Cualquier desalineación del depósito evitará que el deshumidificador comience a funcionar de nuevo y el indicador «depósito de agua lleno» seguirá iluminado.

No quite el flotador de palanca situado en el interior del depósito de agua. El deshumidificador lo utiliza para detener el proceso de deshumidificación automáticamente cuando el depósito de agua está lleno.



Drenaje externo continuo del agua

Se recomienda utilizar la función de drenaje continuo cuando el equipo se va a utilizar durante largos periodos de tiempo y el depósito de agua no se puede vaciar con frecuencia. Siga los pasos indicados a continuación para utilizar esta función:

Paso 1: Apague el deshumidificador pulsando el botón de encendido (A).

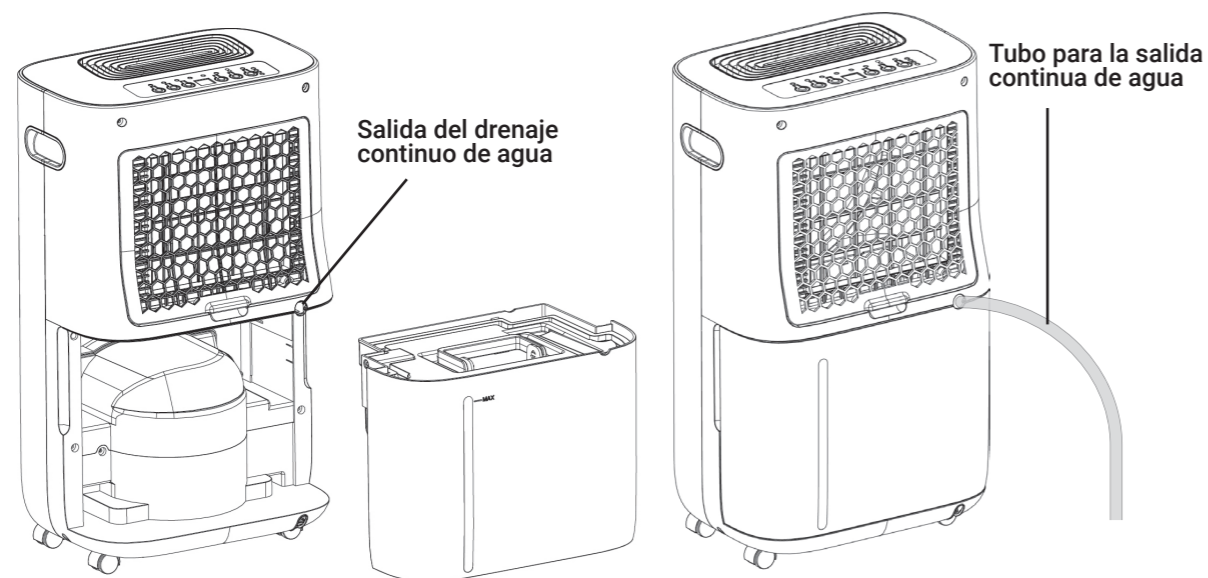
Paso 2: Localice el depósito de agua en la parte posterior del deshumidificador y tire suavemente para sacarlo.

Paso 3: Localice la salida del drenaje continuo de agua en la parte posterior del deshumidificador.

Paso 4: Inserte el tubo en la salida del drenaje continuo de agua y asegúrese de que está conectado correctamente.

Paso 5: Coloque de nuevo el depósito de agua vacío en el deshumidificador asegurándose de que esté correctamente colocado. Cualquier desalineación del depósito evitará que el deshumidificador comience a funcionar de nuevo y el indicador «depósito de agua lleno» seguirá iluminado.

Paso 6: Coloque el otro extremo del tubo en un sumidero o desagüe. Asegúrese de que el tubo no está doblado ni aplastado y de que el extremo final está colocado mas bajo que la salida del drenaje de agua. A continuación puede encender el deshumidificador.



Limpieza del depósito de agua

Limpie el depósito de agua del deshumidificador una vez cada 2 o 3 semanas para evitar la acumulación de suciedad y la acumulación de moho, hongos y bacterias.

Puede hacerlo añadiendo en el depósito una mezcla de agua limpia y jabón suave. Mueva suavemente y vacíe el depósito. Enjuague a fondo antes de volver a colocarlo.

Limpieza del filtro

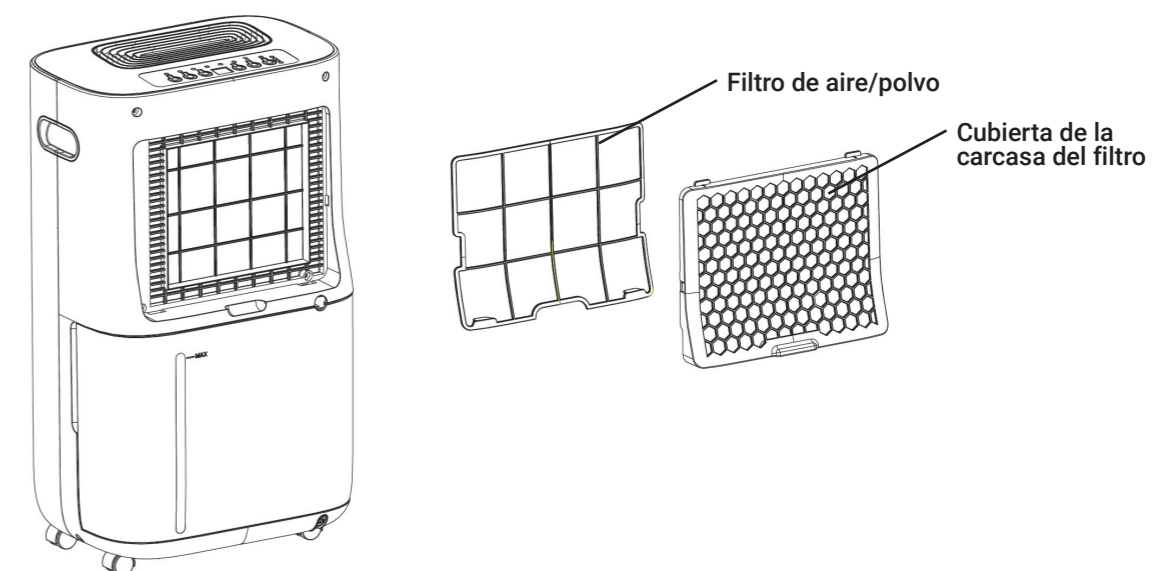
Limpie el filtro de aire/polvo del deshumidificador cada dos semanas. Un filtro sucio puede hacer que la eficiencia del deshumidificador se reduzca. Siga estos pasos para limpiar el filtro:

Paso 1: Retire la cubierta de la carcasa del filtro del deshumidificador que se encuentra en la parte posterior de la unidad.

Paso 2: Saque con cuidado el filtro de nailon de la tapa de la cubierta del filtro.

Paso 3: Utilice un paño húmedo o una aspiradora con un accesorio en forma de cepillo para quitar muy suavemente el polvo del filtro.

Paso 4: Si el filtro está demasiado sucio, se puede enjuagar con agua fría, para después secarlo completamente antes de ponerlo de nuevo en su lugar.



Limpieza del deshumidificador



ADVERTENCIA: Apague y desenchufe siempre el deshumidificador de la toma de corriente de la pared antes de llevar a cabo cualquier operación de limpieza o mantenimiento.

Limpieza de la unidad

Limpie las superficies del deshumidificador con un paño suave. No utilice nunca limpiadores corrosivos, a base de disolventes o abrasivos, ya que pueden dañar el deshumidificador.

Puede utilizar una aspiradora con un accesorio en forma de cepillo para limpiar suavemente las rejillas de entrada y salida.

Operación de descongelación

Se puede generar escarcha en los serpentines internos del deshumidificador al operar en bajas temperaturas, esto es normal. Cuando esto ocurre la función de deshumidificación se detiene automáticamente y el ventilador de la unidad continúa funcionando hasta que la escarcha desaparece. Este proceso dura solo unos pocos minutos, y una vez que los serpentines internos se descongelan, la operación de deshumidificación se reanuda.



Durante la operación de descongelación, el indicador de descongelación (J) se enciende en el panel de control. No apague el deshumidificador mientras la unidad está descongelando.

Información / consejos útiles

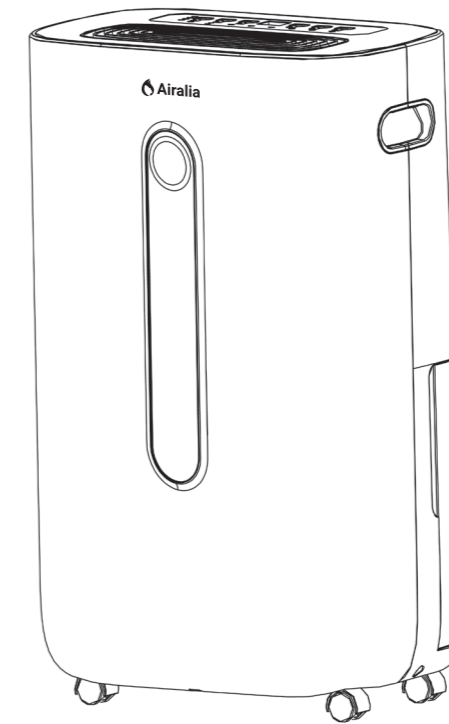
- Este deshumidificador está equipado con una función de seguridad que impide que los usuarios enciendan y apaguen el compresor con demasiada frecuencia. Esta función retarda la función de deshumidificación hasta que la unidad ha estado en marcha durante 3 minutos.
- Cuando se enciende, el deshumidificador utiliza la configuración seleccionada antes de la última vez que se apagó.
- En caso de que se produzca un corte del suministro eléctrico mientras el deshumidificador está en funcionamiento, al restablecerse el suministro eléctrico el deshumidificador se iniciará de nuevo automáticamente, manteniendo todos los parámetros seleccionados antes de dicho corte.
- Todos los compresores de los deshumidificadores producen calor durante el proceso de deshumidificación. La temperatura del aire expulsado a través de la rejilla de ventilación dependerá del entorno de la habitación y del funcionamiento del compresor. Esta puede fluctuar y es algo normal.



Airalia[®]

Manuel d'utilisation

Déshumidificateur 20L | Modèle AIR-DH20



Instruction manual	EN
Bedienungsanleitung	DE
Manual de instrucciones	ES
Manuel d'utilisation	FR
Manuale di istruzioni	IT

Merci

Merci d'avoir acheté ce déshumidificateur Airalia.

44 Consignes de sécurité importantes.

48 Informations spécifiques concernant le gaz réfrigérant R290.

49 Spécifications techniques et description des pièces.

50 Utilisation et fonctionnement.

52 Drainage de l'eau.

54 Nettoyage du déshumidificateur.

56 Opération de dégivrage.

56 Informations / conseils utiles.

Avant de faire fonctionner votre déshumidificateur, veuillez lire attentivement ce manuel d'utilisation et le conserver pour une consultation ultérieure.

• Si le déshumidificateur est transféré à d'autres utilisateurs, il doit être accompagné de ces instructions.

Avant utilisation

- Avant de le faire fonctionner, retirez tous les matériaux d'emballage et vérifiez l'état du déshumidificateur. Ne faites pas fonctionner le déshumidificateur si des signes de détérioration sont visibles.
- Avant utilisation, vérifiez toujours l'état du câble d'alimentation. Si ce dernier est détérioré, il doit être remplacé par le fabricant ou par un technicien qualifié.
- Gardez les matériaux d'emballage (sacs plastique, polystyrène) hors de portée des enfants.

Connecter et déconnecter le déshumidificateur

- Assurez-vous que l'alimentation secteur est conforme aux spécifications électriques (voltage, fréquence et puissance) indiquées dans l'étiquette des spécifications du déshumidificateur. Assurez-vous que la prise d'alimentation correspond à la prise du déshumidificateur.
- Ce déshumidificateur doit être branché sur une prise reliée à la terre.
- Afin d'éviter de surcharger le circuit, ne faites pas fonctionner d'autres appareils à haute puissance sur le même circuit que ce déshumidificateur.
- Branchez/débranchez toujours le déshumidificateur à l'aide de la prise électrique.
- Ne tirez pas sur le câble d'alimentation pour débrancher l'appareil. D'autre part, ne déplacez, ne portez, ni ne suspendez jamais le déshumidificateur par le cordon d'alimentation.
- Assurez-vous que le câble d'alimentation est entièrement déployé avant utilisation et ne le laissez pas entrer en contact avec une quelconque partie du déshumidificateur.
- Pour déconnecter complètement le déshumidificateur de l'alimentation secteur, vous devez le débrancher de la prise.
- N'utilisez pas de rallonge avec ce déshumidificateur car elles peuvent surchauffer et entraîner un risque d'incendie.
- Ce déshumidificateur n'est pas destiné à fonctionner avec un minuteur externe ni avec une télécommande.
- Ne couvrez pas le câble d'alimentation, par exemple en le plaçant sous une moquette, un tapis, ou autres revêtements de sol.
- Ne placez pas le câble d'alimentation dans un endroit où un risque de trébucher existe.
- Ne placez pas le câble d'alimentation dans un lieu humide, mouillé ou chaud.
- Ne pincez ni ne pliez pas le câble d'alimentation. N'enroulez pas le câble d'alimentation autour du déshumidificateur.



Consignes de sécurité importantes

Introduction

- Utilisez ce déshumidificateur uniquement de la manière décrite dans ce manuel. Toute autre utilisation non recommandée par le fabricant peut entraîner un danger tel que, notamment, un risque d'incendie ou des blessures graves par décharge électrique ou brûlure.
- Le fabricant ne saurait être tenu responsable de tout dommage résultant du non-respect de ces instructions.
- Ce déshumidificateur ne doit pas être utilisé par des personnes (y compris des enfants) ayant des capacités physiques, sensorielles ou mentales réduites, ou ayant un manque d'expérience et de connaissances, à moins qu'elles ne soient supervisées ou qu'elles aient reçu des instructions quant à l'utilisation du déshumidificateur par une personne responsable de leur sécurité.
- Ce déshumidificateur est conçu pour une utilisation domestique en intérieur uniquement et ne doit pas être utilisé à l'extérieur ni à d'autres fins.
- Ne laissez jamais le déshumidificateur sans surveillance pendant son utilisation.
- Ne laissez jamais les enfants ni les animaux de compagnie seuls ou sans surveillance aux alentours du déshumidificateur pendant son utilisation. Ne laissez jamais les enfants jouer avec cet appareil.

Emplacement et transport du déshumidificateur

- Gardez le déshumidificateur debout pendant le transport. Après le transport du déshumidificateur, attendez au moins une heure avant de le mettre en marche.
- Assurez-vous que le déshumidificateur est débranché de la prise électrique avant de le déplacer.
- N'utilisez pas le déshumidificateur à proximité de substances inflammables (par exemple : de l'essence, de l'alcool, de la peinture, du gaz), de conteneurs pressurisés (par exemple : une bombe aérosol) ou de sources de chaleur (par exemple : un four, un radiateur).
- N'utilisez pas le déshumidificateur sur une surface inclinée. Gardez-le toujours en position debout afin d'éviter les fuites ou tout autre danger.
- Gardez le déshumidificateur éloigné d'au moins 40 cm de tout mur ou objet.
- Ne placez pas le tuyau de drainage en continu à l'extérieur lorsque les températures sont inférieures à 0°C.

Nettoyage, entretien et rangement

- En cas de panne ou de malfonctionnement, éteignez le déshumidificateur et contactez le vendeur ou le fabricant.
- N'essayez pas de réparer ou d'ajuster vous-même les pièces électriques ou mécaniques du déshumidificateur, ni avec l'aide d'une personne non autorisée. Procéder ainsi est dangereux et annulera la garantie.
- Pendant le nettoyage du déshumidificateur, suivez toujours les recommandations du fabricant.
- Avant une opération de nettoyage ou d'entretien, assurez-vous que le déshumidificateur est débranché du secteur et que le réservoir d'eau est vide.
- N'utilisez pas de nettoyeurs corrosifs, abrasifs, ou à base de solvants car ils peuvent endommager le déshumidificateur. Ne submergez jamais le déshumidificateur dans l'eau.
- N'utilisez pas le déshumidificateur sans le filtre à air. Nettoyez régulièrement le filtre à air.
- Débranchez toujours le déshumidificateur avant de vider le réservoir d'eau.
- Ne retirez pas le réservoir d'eau pendant que le déshumidificateur est en marche. Cela peut entraîner une fuite de l'appareil.
- Videz toujours le réservoir d'eau avant de ranger le déshumidificateur.
- L'eau collectée dans le déshumidificateur n'est pas potable ; elle doit être jetée.

Utilisation

- N'insérez ni ne laissez entrer aucun objet par les aérations ou par les ouvertures du déshumidificateur. Cela peut endommager l'appareil et/ou entraîner un choc électrique ou un incendie.
- Ne laissez pas de l'eau ni aucun autre liquide pénétrer à l'intérieur de l'appareil car ceci pourrait entraîner un incendie et/ou un choc électrique.
- Ne faites pas fonctionner le déshumidificateur avec les mains ou les pieds mouillés.
- Ne placez rien sur le déshumidificateur.
- Ne couvrez pas le déshumidificateur lorsqu'il est en marche.
- N'utilisez aucune méthode pour accélérer le processus de dégivrage du déshumidificateur.

Recyclage et élimination

- Les matériaux d'emballage utilisés pour ce déshumidificateur peuvent être recyclés. Veuillez les jeter de manière écologique. Consultez votre mairie pour plus d'informations.
- Ne jetez pas le déshumidificateur avec vos déchets domestiques habituels, mais par le biais d'un point de reprise spécialement prévu pour ce genre de déchets ou de votre déchetterie municipale. En cas de doute, veuillez contacter votre point de reprise ou votre mairie.

Informations spécifiques concernant le gaz réfrigérant R290

Lisez attentivement l'ensemble des avertissements suivants



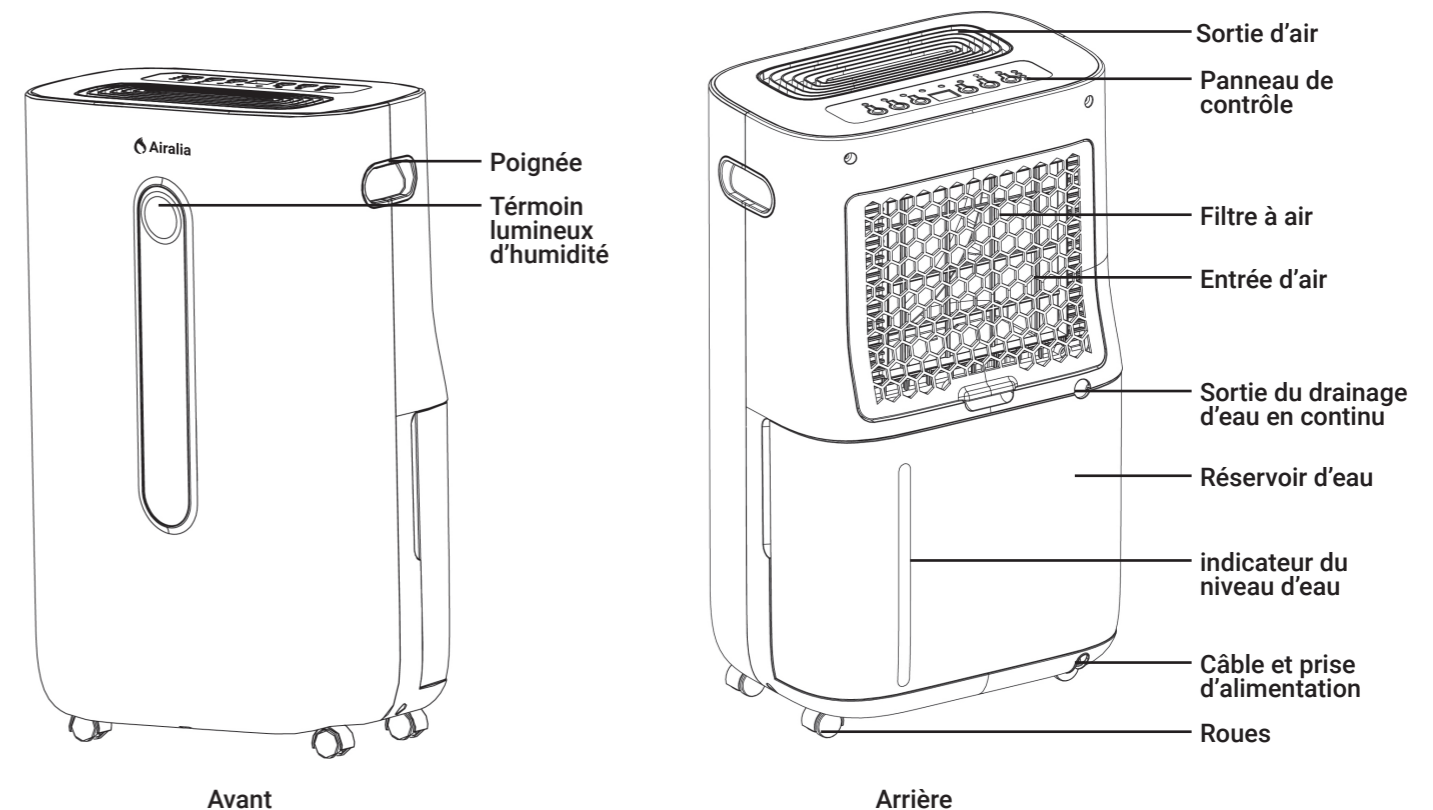
Attention, risque d'incendie



- Ce déshumidificateur contient 60 g de gaz réfrigérant R290.
- Le déshumidificateur doit être placé dans un lieu sans aucune source d'inflammation (par exemple, des appareils électriques ou fonctionnant au gaz).
- N'essayez en aucun cas de percer ou de brûler le déshumidificateur.
- Sachez que le gaz réfrigérant R290 est inodore.
- Le déshumidificateur doit être installé, utilisé et rangé dans un lieu d'une surface supérieure à 4 m².
- Si le déshumidificateur est installé, fonctionne ou est rangé dans un lieu non ventilé, la pièce doit être conçue pour empêcher l'accumulation de gaz réfrigérant suite à une fuite pouvant entraîner un risque d'incendie ou d'explosion due à l'inflammabilité du gaz réfrigérant à cause de sources de chaleur telles qu'un radiateur ou un four.
- Le déshumidificateur doit être rangé de façon à éviter une panne mécanique.
- Les personnes manipulant ou travaillant sur le circuit de réfrigération doivent disposer de la certification appropriée émise par un organisme accrédité qui garantit la compétence pour la manipulation des gaz réfrigérants conformément à une évaluation reconnue par les associations de l'industrie.
- Les réparations doivent être effectuées en fonction des recommandations du fabricant. L'entretien et les réparations qui nécessitent l'assistance d'un autre personnel qualifié doivent être effectués sous la supervision d'une personne spécialisée dans l'utilisation de gaz réfrigérants inflammables.
- Ne percez aucune partie du circuit de réfrigération.

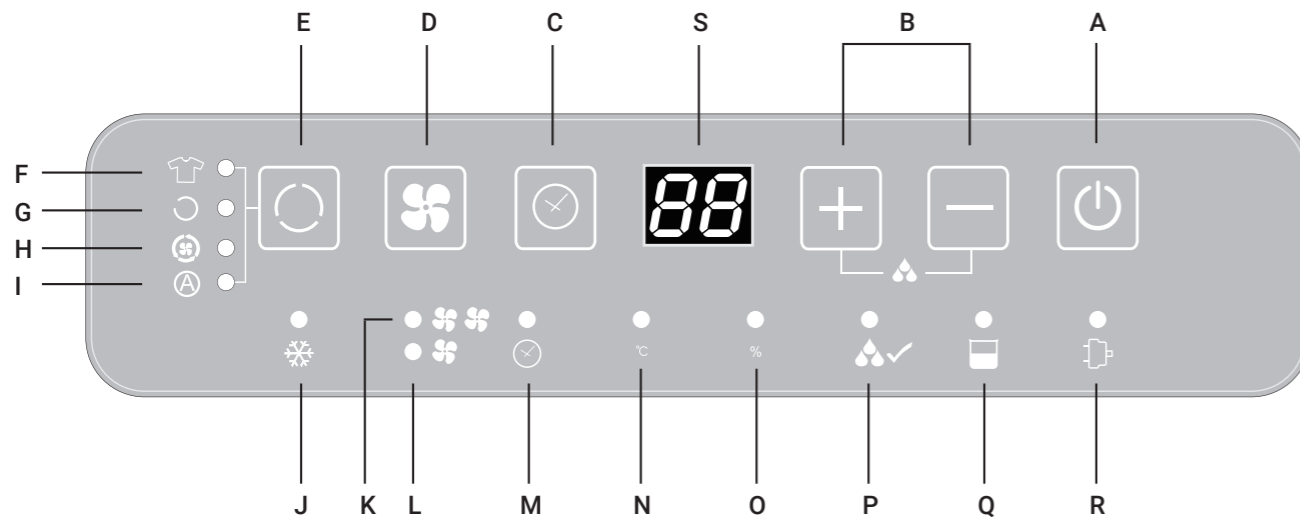
Spécifications techniques et description des pièces

Modèle N°	AIR-DH20
Taille	565 x 340 x 240 mm
Poids net	14 Kg
Alimentation électrique	AC 220 V – 240 V ~ 50 Hz
Puissance d'entrée	420 W
Capacité de déshumidification	Environ 20 L par jour à 30 °C, 80 %
Capacité du réservoir d'eau	6,5 L
Température de fonctionnement	5 – 32 °C
Gaz réfrigérant	R290 / 60 g
Hygromètre	Oui
Vitesse du ventilateur	2 vitesses - Elevée (Turbo)/Basse
Filtre à air	Oui



Utilisation et fonctionnement

Panneau de contrôle



A - Bouton d'alimentation: Appuyez sur ce bouton pour activer (ON) ou désactiver (OFF) le déshumidificateur. Lorsque le déshumidificateur est activé, l'écran d'affichage (S) indique le pourcentage d'humidité relative actuel.

B - Contrôle de l'humidité: Appuyez sur + ou – pour régler le niveau d'humidité relative (RH) souhaité entre 30 % et 80 % par paliers de 5 % pendant le mode de déshumidification normal. Le déshumidificateur s'éteint lorsque la pièce atteint le pourcentage d'humidité relative souhaité.

C - Contrôle du minuteur: Utilisez cette fonction pour activer et désactiver automatiquement le déshumidificateur pendant une période de temps choisie (entre 1 et 24 heures). La période choisie est indiquée sur l'écran d'affichage (S).

Minuteur d'arrêt automatique: Appuyez sur le bouton de contrôle du minuteur lorsque le déshumidificateur est en marche.

L'écran d'affichage se met à clignoter. Appuyez sur + ou – pour sélectionner sur l'écran d'affichage le nombre d'heures pendant lesquelles vous souhaitez que le déshumidificateur fonctionne avant qu'il ne s'éteigne. Une fois la durée sélectionnée, attendez 5 secondes que le témoin lumineux du minuteur (M) s'allume pour confirmer que le minuteur est réglé.

Minuteur de mise en marche automatique: Appuyez sur le bouton de contrôle du minuteur lorsque le déshumidificateur est éteint.

L'écran d'affichage se met à clignoter. Appuyez sur + ou – pour sélectionner sur l'écran d'affichage le nombre d'heures souhaité avant que le déshumidificateur ne se mette en marche. Une fois la durée sélectionnée, attendez 5 secondes que le témoin lumineux du minuteur (M) s'allume pour confirmer que le minuteur est réglé.

À présent vous pouvez ajuster la vitesse de ventilation du déshumidificateur (via le bouton D) et le mode (via le bouton E). Si rien n'est sélectionné, le précédent réglage de la vitesse et de l'humidité est utilisé.

Pour désactiver la fonction minuteur après l'avoir réglée, appuyez sur le bouton de contrôle du minuteur deux fois.

D - Vitesse de ventilation: Utilisez cette fonction pour régler la puissance d'extraction du déshumidificateur sur Élevée (Turbo) ou Basse lorsqu'il est en mode normal ou en mode ventilation.

E - Mode: Utilisez cette fonction pour basculer sur les modes de fonctionnement suivants:



Mode Séchage du Linge

Utilisez ce mode pour sécher le linge plus rapidement. Le déshumidificateur fonctionne à sa capacité de déshumidification maximale en continu. Les fonctions de contrôle de la vitesse et de l'humidité sont désactivées dans ce mode.



Mode Ventilation

Dans ce mode, l'air de la pièce est filtré au moyen du filtre à air à l'arrière de l'appareil à la vitesse choisie (via le bouton D). Ce mode n'utilise pas la fonction de déshumidification, seule la ventilation fonctionne.



Mode Normal

Utilisez ce mode pour régler manuellement la vitesse de ventilation (via le bouton D) et l'humidité relative souhaitée (via le bouton B). Le déshumidificateur s'éteint lorsque la pièce atteint le pourcentage d'humidité relative souhaité.



Mode Automatique (En Continu)

Dans ce mode, l'humidité relative souhaitée est réglée à 55 % et la vitesse de ventilation est contrôlée automatiquement :

- La vitesse de ventilation est réglée automatiquement sur Élevée (Turbo) lorsque l'humidité relative de la pièce est supérieure à 70 % jusqu'à ce qu'elle soit abaissée à 67 %.
- La vitesse de ventilation est réglée automatiquement sur Basse lorsque l'humidité relative de la pièce est inférieure à 67 %.

F - Indicateur du mode séchage du linge: Indique lorsque le Mode Séchage du linge est sélectionné.

G - Indicateur du mode normal: Indique lorsque le Mode Normal est sélectionné.

H - Indicateur du mode ventilation: Indique lorsque le Mode Ventilation est sélectionné.

I - Indicateur du mode automatique: Indique lorsque le Mode Automatique est sélectionné.

J - Indicateur de dégivrage: Indique lorsque l'appareil est en dégivrage (pour plus d'informations, consultez la section Dégivrage).

K/L - Indicateur de la vitesse de ventilation: Indique la vitesse de ventilation du déshumidificateur.

✳ Basse | ✳✳ Élevée (Turbo)

M - Indicateur du minuteur: Indique lorsque le minuteur a été réglé.

N - Indicateur de température: Maintenez appuyé le bouton + (B) pendant 5 secondes jusqu'à ce que le témoin lumineux de la température soit positionné sur (°C). Ceci indiquera la température actuelle de la pièce sur l'écran d'affichage (S).

O - Indicateur d'humidité: Indique lorsque le pourcentage d'humidité relative souhaitée est réglée.

P - Indicateur d'humidité souhaitée: Indique lorsque le pourcentage d'humidité relative souhaité est atteint.

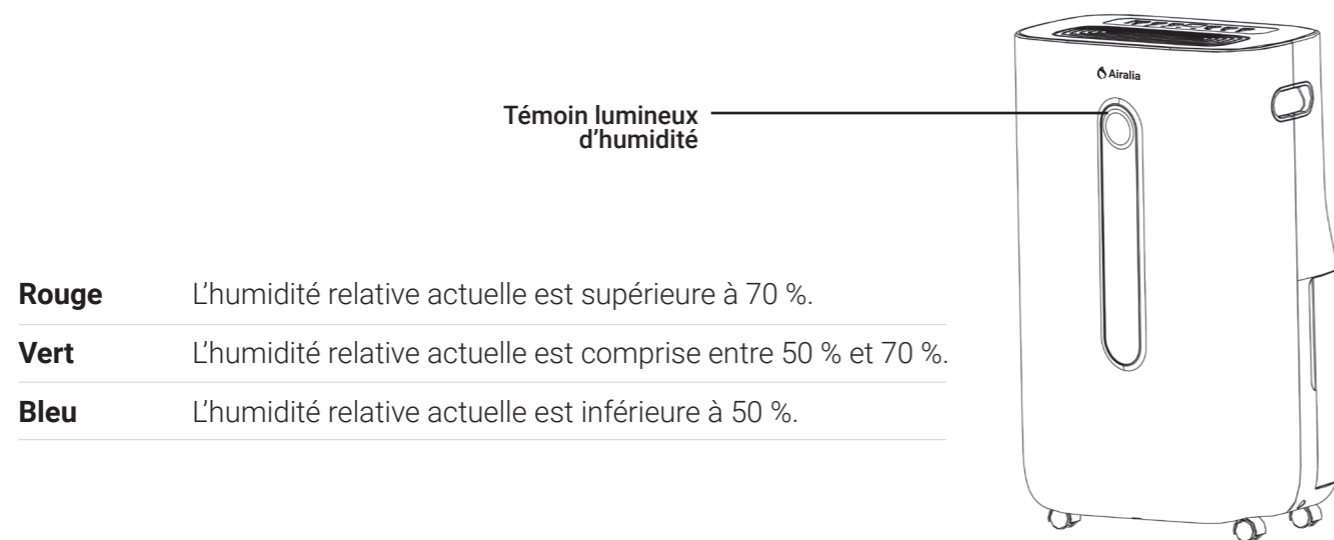
Q - Indicateur du réservoir d'eau plein: Indique lorsque le réservoir d'eau du déshumidificateur est plein, retiré ou mal positionné.

R - Indicateur de l'alimentation: Indique lorsque le déshumidificateur est allumé.

S - Écran d'affichage: Indique les informations relatives au fonctionnement du déshumidificateur (pourcentage d'humidité relative souhaité, pourcentage d'humidité relative actuel de la pièce, réglages du minuteur, température de la pièce).

Verrouillage enfant: Les contrôles du déshumidificateur peuvent être verrouillés pour la sécurité des enfants. Maintenez appuyé le bouton de **Contrôle du Minuteur** pendant 5 secondes pour verrouiller et déverrouiller le panneau de contrôle. L'écran d'affichage indiquera **[LC]**.

Témoin lumineux d'humidité: Indique le pourcentage d'humidité relative actuel avec trois couleurs distinctes:



Rouge	L'humidité relative actuelle est supérieure à 70 %.
Vert	L'humidité relative actuelle est comprise entre 50 % et 70 %.
Bleu	L'humidité relative actuelle est inférieure à 50 %.

Drainage de l'eau

Drainage de l'eau collectée dans le réservoir d'eau

Les condensats sont collectés directement dans le réservoir d'eau.

Lorsque le réservoir d'eau est plein, le déshumidificateur s'arrête automatiquement et l'indicateur du « réservoir d'eau plein » (Q) s'allume sur le panneau de contrôle, accompagné d'un bip sonore. Suivez les étapes ci-dessous pour vider le réservoir d'eau :

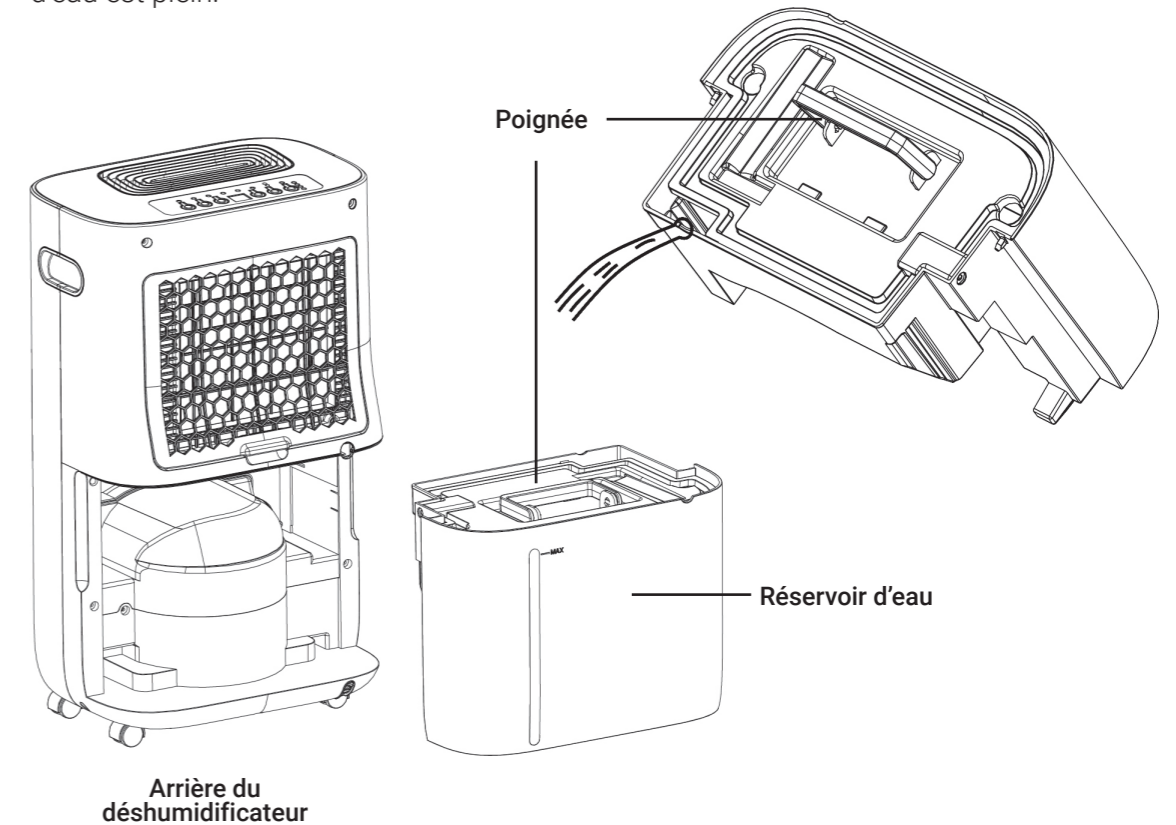
Étape 1: Éteignez le déshumidificateur en appuyant sur le bouton d'alimentation (A).

Étape 2: Localisez le réservoir d'eau à l'arrière du déshumidificateur et retirez-le en tirant légèrement dessus.

Étape 3: Utilisez la poignée du réservoir d'eau pour le vider dans un évier ou une baignoire.

Étape 4: Remplacez le réservoir d'eau vide dans le déshumidificateur en vous assurant qu'il est correctement positionné. Un mauvais alignement du réservoir empêchera le déshumidificateur de démarrer et l'indicateur du « réservoir d'eau plein » restera allumé.

Ne retirez pas le flotteur qui se trouve à l'intérieur du réservoir d'eau. Il permet au déshumidificateur d'arrêter automatiquement la déshumidification lorsque le réservoir d'eau est plein.



Drainage externe de l'eau en continu

Il est conseillé d'utiliser la fonction de drainage continu lorsque l'appareil est utilisé pendant de longues périodes et que le réservoir d'eau ne peut pas être vidé régulièrement. Suivez les étapes ci-dessous pour utiliser cette fonction :

Étape 1: Éteignez le déshumidificateur en appuyant sur le bouton d'alimentation (A).

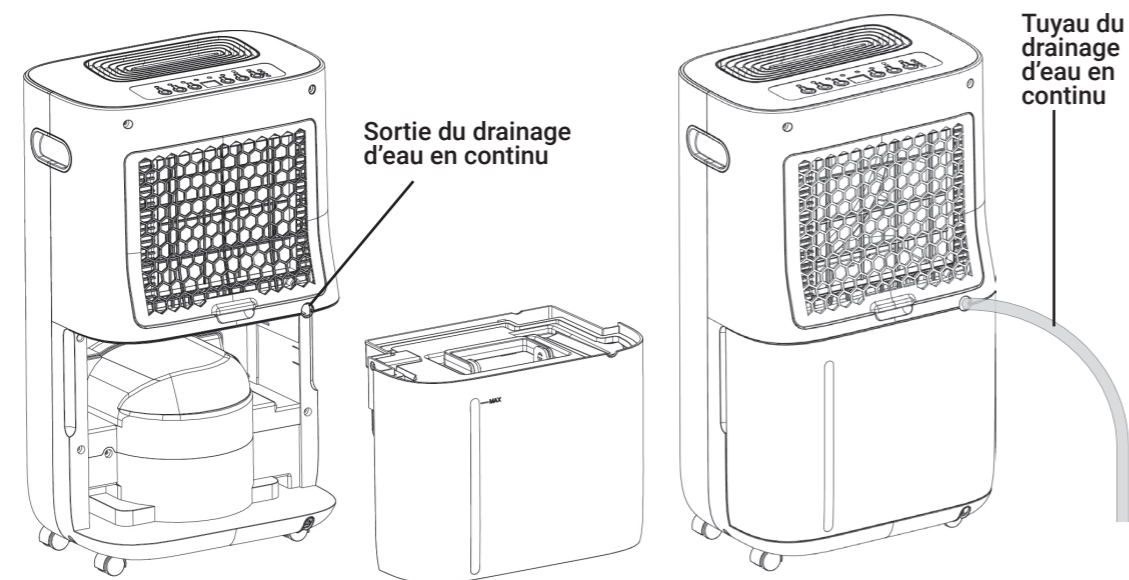
Étape 2: Localisez le réservoir d'eau à l'arrière du déshumidificateur et retirez-le en tirant légèrement dessus.

Étape 3: Localisez la sortie d'eau en continu à l'arrière du déshumidificateur.

Étape 4: Insérez le tuyau dans la sortie du drainage d'eau en continu et assurez-vous qu'il est correctement fixé.

Étape 5: Remplacez le réservoir d'eau vide dans le déshumidificateur en vous assurant qu'il est correctement positionné. Un mauvais alignement du réservoir empêchera le déshumidificateur de démarrer et l'indicateur du « réservoir d'eau plein » restera allumé.

Étape 6: Positionnez l'autre extrémité du tuyau dans un évier ou dans un drain. Assurez-vous que le tuyau n'est pas plié ou coudé et qu'il est incliné vers le bas pour que l'eau puisse s'écouler. Vous pouvez maintenant allumer le déshumidificateur.



Nettoyage du réservoir d'eau

Nettoyez le réservoir d'eau du déshumidificateur toutes les 2 ou 3 semaines pour éviter l'accumulation et le développement des moisissures et des bactéries.

Vous pouvez pour cela verser un mélange d'eau propre et de savon doux dans le réservoir. Agitez puis videz le réservoir. Rincez-le soigneusement avant de le replacer dans l'appareil.

Nettoyage du filtre

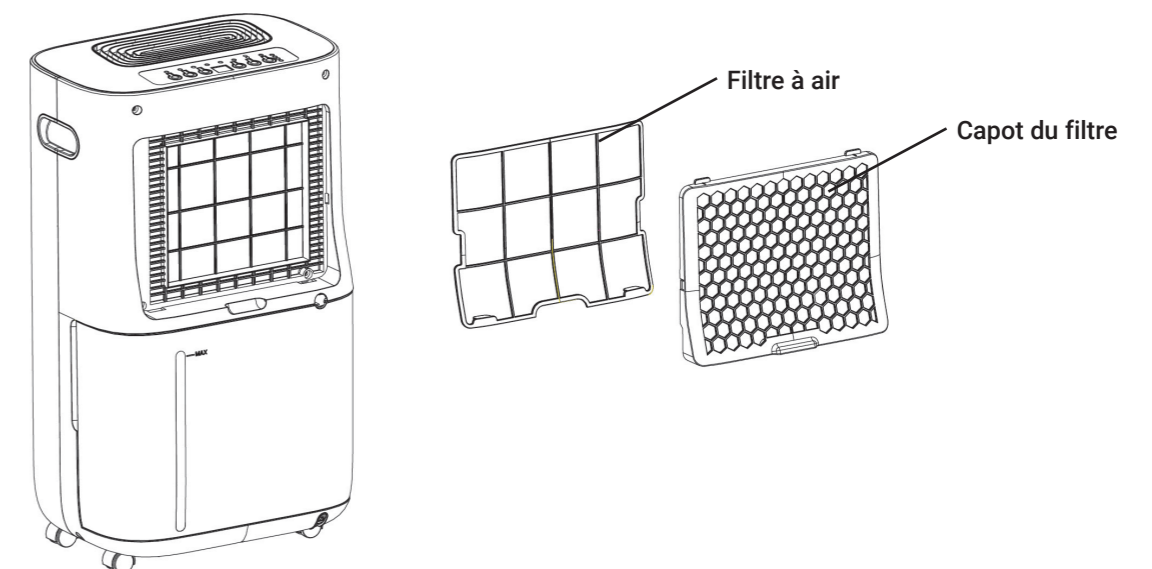
Nettoyez le filtre à air du déshumidificateur toutes les deux semaines. Un filtre sale peut réduire l'efficacité du déshumidificateur. Pour nettoyer le filtre, suivez les étapes ci-dessous:

Étape 1: Retirez le capot du filtre du déshumidificateur qui est situé à l'arrière de l'appareil.

Étape 2: Retirez le filtre de nylon du capot en tirant légèrement dessus.

Étape 3: Utilisez un chiffon humide ou un aspirateur avec un embout à brosse pour retirer la poussière du filtre.

Étape 4: Si le filtre est trop sale, celui-ci peut être rincé à l'eau froide puis séché complètement avant de le remettre en place.



Nettoyage du déshumidificateur

AVERTISSEMENT: Éteignez toujours le déshumidificateur et débranchez-le de la prise secteur avant toute opération de nettoyage ou d'entretien.

Nettoyage de l'appareil

Nettoyez les surfaces du déshumidificateur à l'aide d'un chiffon doux. N'utilisez jamais de nettoyants corrosifs, abrasifs, ou à base de solvants car ils peuvent endommager le déshumidificateur.

Vous pouvez utiliser un aspirateur avec un embout à brosse pour nettoyer les grilles d'entrée et de sortie.

Opération de dégivrage

Le givre peut s'accumuler sur les bobines internes de l'appareil. Lorsque cela se produit, la fonction de déshumidification s'arrête automatiquement et le ventilateur de l'appareil continue à fonctionner jusqu'à ce que le givre disparaisse. Cela ne prend que quelques minutes, et une fois les bobines internes dégivrées, la fonction de déshumidification reprend.



Pendant l'opération de dégivrage, l'indicateur de dégivrage (J) s'allume sur le panneau de contrôle. N'éteignez pas le déshumidificateur lorsque le dégivrage de l'appareil est en cours.

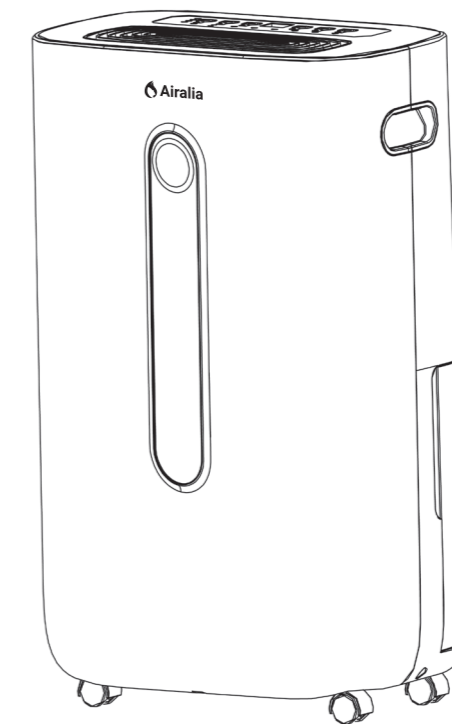
Informations / conseils utiles

- Ce déshumidificateur est équipé d'une fonction de sécurité qui empêche les utilisateurs d'activer et de désactiver le compresseur trop fréquemment. La fonction de déshumidification est ainsi retardée jusqu'à ce que l'appareil soit allumé depuis 3 minutes.
- Lorsque le déshumidificateur est allumé, les réglages sélectionnés au cours de sa dernière utilisation sont conservés.
- En cas de coupure de courant pendant que le déshumidificateur fonctionne, le déshumidificateur redémarre automatiquement lorsque le courant est rétabli et les réglages sélectionnés avant la coupure sont conservés.
- Tous les déshumidificateurs à compresseur produisent de la chaleur pendant le processus de déshumidification. La température de l'air expulsé dépend de l'environnement de la pièce ainsi que du fonctionnement du compresseur. Celle-ci peut varier et cela est normal.



Manuale di istruzioni

Deumidificatore 20L | Modello AIR-DH20



Instruction manual	EN
Bedienungsanleitung	DE
Manual de instrucciones	ES
Manuel d'utilisation	FR
Manuale di istruzioni	IT

Grazie

Grazie per aver acquistato questo deumidificatore Airalia.

58 Importanti avvertenze di sicurezza.

62 Informazioni specifiche sul gas refrigerante R290.

63 Specifiche tecniche e descrizione dei componenti.

64 Utilizzo e funzionamento.

66 Drenaggio dell'acqua.

68 Pulizia del deumidificatore.

70 Operazioni di sbrinamento.

70 Informazioni utili / suggerimenti.

Prima di utilizzare il deumidificatore, leggere attentamente questo manuale di istruzioni e conservarlo per riferimenti futuri.

Prima dell'uso

- Prima del primo utilizzo, rimuovere tutti i materiali di imballaggio e controllare le condizioni del deumidificatore. Non azionare il deumidificatore qualora siano presenti segni di danneggiamento.
- Prima dell'uso, controllare sempre le condizioni del cavo di alimentazione. Se il cavo di alimentazione è danneggiato, deve essere sostituito dal produttore o da un tecnico qualificato.
- Conservare i materiali di imballaggio (sacchetti di plastica, polistirolo) fuori dalla portata dei bambini.

Collegare e scollegare il deumidificatore

- Assicurarsi che l'alimentazione di rete sia conforme alle specifiche elettriche (tensione, frequenza e potenza) indicate nell'etichetta del deumidificatore. Assicurarsi che la presa di corrente corrisponda alla spina del deumidificatore.
- Questo deumidificatore deve essere collegato ad una presa con messa a terra.
- Per evitare di sovraccaricare il circuito, non far funzionare nessun altro apparecchio ad alta potenza sullo stesso circuito di questo deumidificatore.
- Inserire/disinserire sempre la spina del deumidificatore reggendo la spina elettrica stessa.
- Non tirare il cavo di alimentazione per staccare la spina dalla presa. Inoltre, non spostare, trasportare o appendere mai il deumidificatore per il cavo di alimentazione.
- Assicurarsi che il cavo di alimentazione sia completamente esteso prima dell'uso e non permettere che venga a contatto con qualsiasi parte del deumidificatore.
- Per scollegare completamente il deumidificatore dalla rete elettrica, è necessario scollegarlo dalla presa.
- Non utilizzare prolunghe o conduttori con questo deumidificatore, in quanto potrebbero surriscaldarsi e causare un principio di incendio.
- Questo deumidificatore non deve essere azionato tramite un timer esterno o un sistema separato di controllo a distanza.
- Non coprire il cavo di alimentazione, per esempio sotto moquette, tappeti o guide.
- Non collocare il cavo di alimentazione in aree dove potrebbe costituire un ostacolo.
- Non collocare il cavo di alimentazione in luoghi bagnati, umidi o caldi.
- Non piegare o attorcigliare il cavo di alimentazione. Non avvolgere il cavo di alimentazione attorno al deumidificatore.



Importanti avvertenze di sicurezza

Introduzione

- Utilizzare questo deumidificatore esclusivamente come descritto in questo manuale. Qualsiasi altro uso non raccomandato dal produttore può causare pericoli quali, a titolo esemplificativo ma non esaustivo, incendi e gravi lesioni da scosse elettriche e ustioni.
- Il produttore non è responsabile per eventuali danni derivanti dalla mancata osservanza di queste istruzioni.
- Questo deumidificatore non deve essere utilizzato da persone (compresi i bambini) con ridotte capacità fisiche, sensoriali, mentali, oppure con inadeguata esperienza e conoscenza, a meno che non siano supervisionate o istruite sull'uso del deumidificatore da una persona responsabile della loro sicurezza.
- Questo deumidificatore è progettato solo per uso in ambienti domestici interni e non deve essere utilizzato all'aperto o per altri scopi.
- Non lasciare mai il deumidificatore incustodito durante l'uso.
- Non lasciare mai bambini o animali domestici da soli o non sorvegliati nell'area in cui il deumidificatore è in uso. Non permettere mai ai bambini di giocare con questo apparecchio.
- Se il deumidificatore viene ceduto ad altri utenti, deve essere accompagnato dalle seguenti istruzioni.

Posizionamento e trasporto del deumidificatore

- Mantenere il deumidificatore in posizione verticale durante il trasporto. Dopo il trasporto, attendere almeno un'ora prima di accendere il deumidificatore.
- Assicurarsi che il deumidificatore sia scollegato dalla presa elettrica prima di spostarlo.
- Non utilizzare il deumidificatore vicino a sostanze infiammabili (per es. benzina, alcool, vernici, gas), contenitori sotto pressione (per es. bombolette spray) o fonti di calore (per es. forni, stufe).
- Non utilizzare il deumidificatore su superfici inclinate. Mantenerlo sempre in posizione verticale per evitare perdite o altri pericoli.
- Tenere il deumidificatore ad almeno 40 cm di distanza dalle pareti e dagli oggetti circostanti.
- Non collocare il tubo di drenaggio continuo all'esterno se la temperatura è inferiore a 0°C.

Pulizia, manutenzione e conservazione

- In caso di guasto o malfunzionamento, spegnere il deumidificatore e contattare il venditore o il produttore.
- Non tentare di riparare o regolare alcuna parte elettrica o meccanica del deumidificatore da soli oppure con assistenza di personale non autorizzato. Tale procedimento non sarebbe sicuro e invaliderebbe la garanzia.
- Quando si pulisce il deumidificatore, seguire sempre le raccomandazioni del produttore.
- Prima di ogni pulizia o manutenzione, assicurarsi che il deumidificatore sia scollegato dalla rete elettrica e che il serbatoio dell'acqua sia vuoto.
- Non utilizzare detergenti corrosivi, a base di solventi o abrasivi, poiché possono danneggiare il deumidificatore. Non immergere mai il deumidificatore in acqua.
- Non utilizzare il deumidificatore senza il filtro dell'aria, che deve essere pulito con frequenza.
- Scollegare sempre il deumidificatore prima di svuotare il serbatoio dell'acqua.
- Non rimuovere il serbatoio dell'acqua mentre il deumidificatore è in uso. Ciò potrebbe causare una perdita di liquidi dall'apparecchio.
- Svuotare sempre il serbatoio dell'acqua prima di mettere via il deumidificatore.
- L'acqua che si raccoglie nel deumidificatore non è potabile; deve essere smaltita.

Utilizzo

- Non inserire o lasciare entrare alcun tipo di oggetto nelle bocchette di ventilazione e nemmeno nelle aperture del deumidificatore: si potrebbe danneggiare l'apparecchio e/o causare scosse elettriche o incendi.
- Non lasciar penetrare acqua o altri liquidi all'interno dell'apparecchio, ciò potrebbe creare un rischio di incendio e/o di cortocircuito.
- Non azionare il deumidificatore con mani o piedi bagnati.
- Non posizionare nulla sopra il deumidificatore.
- Non coprire il deumidificatore durante il funzionamento.
- Non tentare in alcun modo di accelerare il processo di sbrinamento del deumidificatore.

Riciclaggio e smaltimento

- I materiali di imballaggio di questo deumidificatore possono essere riciclati. Smaltire qualsiasi imballaggio nel rispetto dell'ambiente. Consultare il proprio comune per ulteriori dettagli.
- Non smaltire il deumidificatore con i rifiuti domestici ordinari, ma attraverso un centro di smaltimento approvato, oppure presso la struttura di smaltimento segnalata dalla propria comunità. In caso di dubbio, contattare il centro di smaltimento dei rifiuti o il consiglio comunale.

Informazioni specifiche sul gas refrigerante R290

Leggere attentamente tutte le seguenti avvertenze



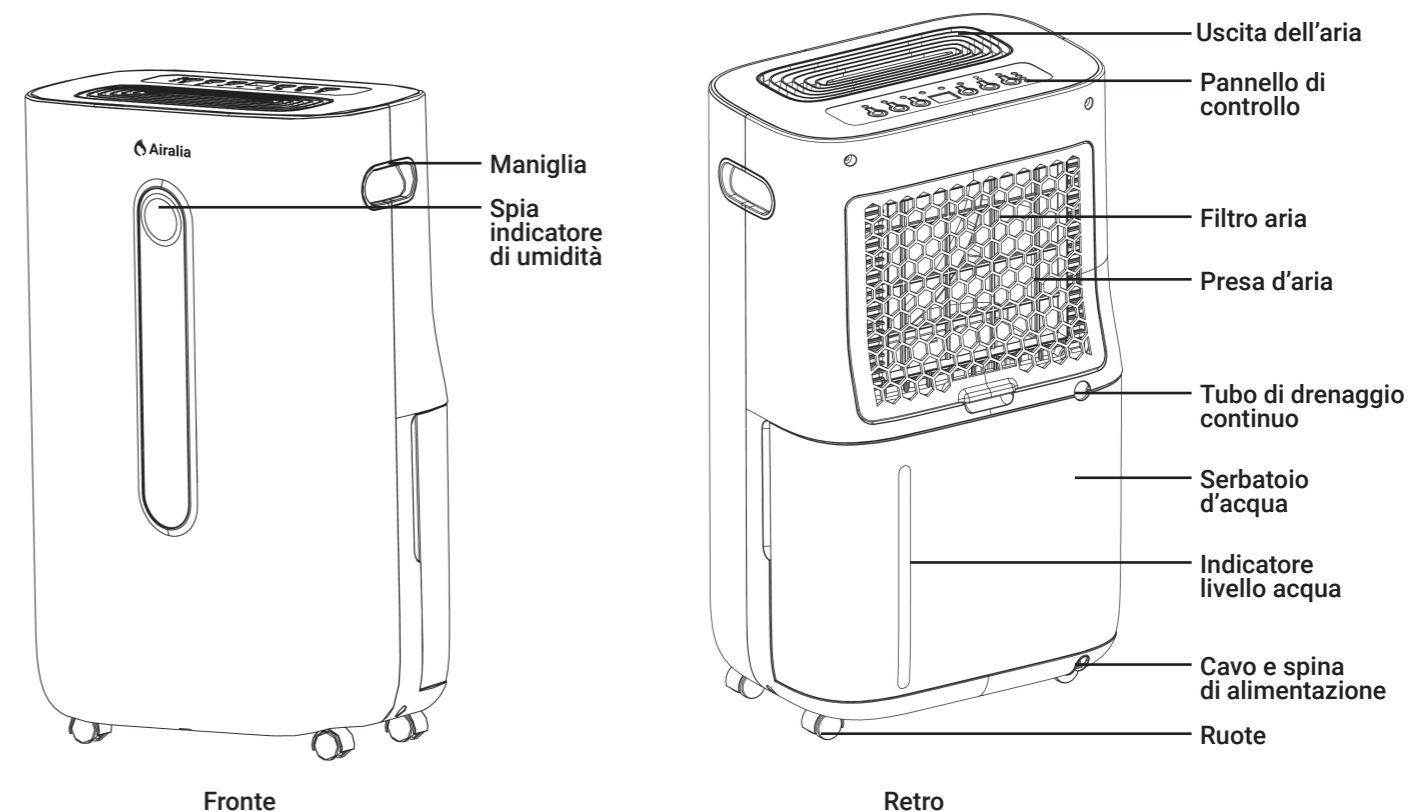
Attenzione, rischio di incendio



- Questo deumidificatore contiene 60g di gas refrigerante R290.
- Il deumidificatore deve essere collocato in un'area senza fonti di ignizione continue (ad esempio, fiamme libere, gas o apparecchi elettrici).
- Non forare e non bruciare.
- Prestare attenzione: il gas refrigerante R290 è inodore.
- Il deumidificatore deve essere installato, utilizzato e conservato in un'area superiore a 4 m².
- Se il deumidificatore è installato, utilizzato o conservato in un'area non ventilata, il locale deve essere adeguato in modo da evitare accumulo di perdite di refrigerante. Tali perdite comporterebbero rischi di incendio o esplosione, a causa dell'accensione del refrigerante tramite riscaldatori elettrici, stufe o altre fonti di accensione.
- Il deumidificatore deve essere conservato in modo da evitare guasti meccanici.
- Le persone che operano o lavorano sul circuito del refrigerante devono essere in possesso di adeguata certificazione rilasciata da un ente accreditato a garantire la competenza nella gestione dei refrigeranti, secondo una specifica valutazione riconosciuta dalle associazioni di settore.
- Le riparazioni devono essere eseguite sulla base delle raccomandazioni del produttore. La manutenzione e le riparazioni che richiedono l'assistenza di altro personale qualificato devono essere eseguite sotto la supervisione di una persona specializzata nell'uso di refrigeranti infiammabili.
- Non forare nessuna parte del circuito refrigerante.

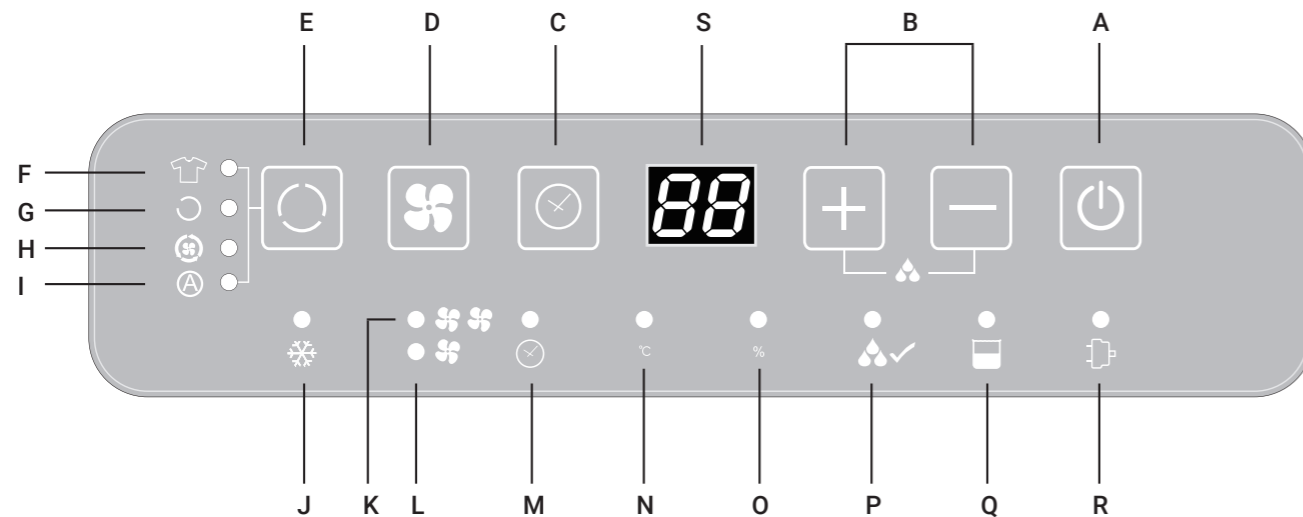
Specifiche tecniche e descrizione dei componenti

Numero modello	AIR-DH20
Dimensioni	565x 340 x 240mm
Peso netto	14 Kg
Alimentazione	AC220V - 240V ~ 50Hz
Potenza in ingresso	420W
Capacità di deumidificazione	Circa 20L al giorno con 30°C, 80%
Capacità serbatoio d'acqua	6,5 L
Temperatura di funzionamento	5-32 °C
Gas refrigerante	R290/60g
Igrometro	Sì
Velocità della ventola	2 velocità - Alta (Turbo)/Bassa
Filtro d'aria	Sì



Utilizzo e funzionamento

Pannello di controllo



A - Pulsante di accensione: Premere questo pulsante per accendere o spegnere il deumidificatore. Quando il deumidificatore è acceso, lo schermo del display (S) mostra l'attuale percentuale relativa di umidità.

B - Set controllo umidità: Premere + o - per impostare il livello di umidità relativa (UR) preferito tra 30% e 80%, in incrementi del 5% durante la normale modalità di deumidificazione. Il deumidificatore si spegne quando la stanza raggiunge il livello desiderato di umidità relativa.

C - Controllo timer: Utilizzare questa funzione per accendere o spegnere automaticamente il deumidificatore per un periodo di tempo selezionato (tra 1 e 24 ore). Il periodo selezionato viene visualizzato sul display (S).

Timer spegnimento automatico: Premere il pulsante di controllo del timer mentre il deumidificatore è acceso. Lo schermo del display inizia a lampeggiare. Premere + o - per selezionare sullo schermo del display il numero di ore di funzionamento del deumidificatore prima dello spegnimento. Dopo aver inserito il tempo desiderato, attendere 5 secondi: come conferma della corretta impostazione, la spia del timer (M) sarà accesa.

Timer accensione automatica: Premere il pulsante di controllo del timer mentre il deumidificatore è spento. Lo schermo del display inizierà a lampeggiare. Selezionare sul display con + o - il numero di ore da attendere prima di avviare il deumidificatore. Una volta inserito il tempo desiderato, attendere 5 secondi e la spia del timer (M) si accenderà per confermare l'impostazione del timer. A questo punto è possibile regolare la velocità della ventola del deumidificatore (tramite il tasto D) e la modalità (tramite il tasto E). Se non si seleziona nulla, si utilizzerà la precedente impostazione di velocità e umidità.

Per disattivare la funzione timer dopo averla impostata, premere due volte il pulsante di controllo del timer.

D - Velocità ventola: Utilizzare questa funzione per impostare la potenza di aspirazione del deumidificatore su Alta (Turbo) o Bassa, quando si è in modalità Normale o Ventilazione.

E - Modalità: Con questa funzione è possibile passare da una modalità di funzionamento all'altra:



Modalità Lavanderia

Utilizzare questa modalità per asciugare i vestiti più rapidamente. Il deumidificatore funziona in modo continuo alla massima capacità di deumidificazione. Le funzioni di controllo di velocità e umidità impostate sono disabilitate in questa modalità.



Modalità Normale

Utilizzare questa modalità per selezionare manualmente la velocità del ventilatore (tramite il tasto D) e l'umidità relativa desiderata (tramite il tasto B). Il deumidificatore si spegne quando il locale raggiunge l'umidità relativa prescelta.



Modalità Ventilazione

In questa modalità, l'aria nella stanza viene filtrata attraverso il filtro dell'aria posteriore ed è nuovamente aspirata nella stanza alla velocità selezionata (tramite il tasto D). Questa modalità non utilizza la funzione deumidificazione, ma soltanto la ventola.



Modalità Automatica (Continua)

In questa modalità, l'umidità relativa obiettivo è fissata al 55% e la velocità della ventola è controllata automaticamente:

- La velocità del ventilatore è impostata automaticamente su Alta (Turbo) quando l'umidità relativa della stanza è superiore a 70% e fino a quando non viene ridotta a 67%.
- La velocità del ventilatore viene impostata automaticamente su Bassa quando l'umidità relativa della stanza è inferiore a 67%.

F - Indicatore modalità Lavanderia: Indica quando è attiva la Modalità Lavanderia.

G - Indicatore modalità Normale: Indica quando è attiva la Modalità Normale.

H - Indicatore modalità Ventilazione: Indica quando è attiva la Modalità Ventilazione.

I - Indicatore modalità Automatica: Indica quando è attiva la Modalità Automatica.

J - Indicatore Sbrinamento: Indica quando l'unità è in fase di sbrinamento (per ulteriori informazioni, vedere la sezione Sbrinamento).

K/L - Indicatore velocità ventola: Indica la potenza della velocità della ventola del deumidificatore.
* Bassa | ** Alta (Turbo)

M - Indicatore timer: Indica quando il timer è stato impostato.

N - Indicatore temperatura: Tenere premuto il pulsante + (B) per 5 secondi fino all'accensione della spia della temperatura (°C). Così, sarà visualizzata la temperatura ambiente attuale sullo schermo del display (S).

O - Indicatore umidità: Indica quando è impostata una % desiderata di umidità relativa.

P - Indicatore umidità obiettivo: Indica quando viene raggiunta la % di umidità relativa prescelta.

Q - Indicatore serbatoio d'acqua pieno: Indica quando il serbatoio dell'acqua del deumidificatore è pieno, rimosso o inserito in modo errato.

R - Indicatore alimentazione: Indica quando il deumidificatore è acceso.

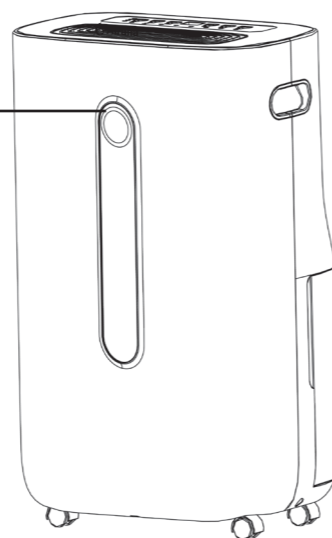
S - Schermo: Mostra informazioni relative al funzionamento del deumidificatore (% umidità relativa obiettivo, % umidità relativa ambiente attuale, impostazioni del timer, temperatura ambiente).

Blocco bambini: I comandi del deumidificatore possono essere bloccati per la sicurezza dei bambini. Tenere premuto il pulsante **Controllo Timer** per 5 secondi per bloccare o sbloccare il pannello di controllo. Lo schermo del display mostrerà **[LC]**.

Spia indicatore di umidità: Indica l'attuale percentuale di umidità relativa con tre diversi colori:

Luce rossa	L'umidità relativa attuale è superiore al 70%.
Luce verde	L'umidità relativa attuale è tra il 50%-70%.
Luce blu	L'umidità relativa attuale è inferiore al 50%.

Spia indicatore di umidità



Drenaggio dell'acqua

Drenaggio dell'acqua raccolta nel serbatoio dell'acqua

L'acqua di condensa del deumidificatore è raccolta direttamente nel serbatoio dell'acqua.

Quando il serbatoio dell'acqua è pieno, il deumidificatore si arresta automaticamente e l'indicatore "Serbatoio dell'acqua pieno" (Q) si accende sul pannello di controllo, accompagnato da un segnale acustico. Seguire la seguente procedura per svuotare il serbatoio dell'acqua:

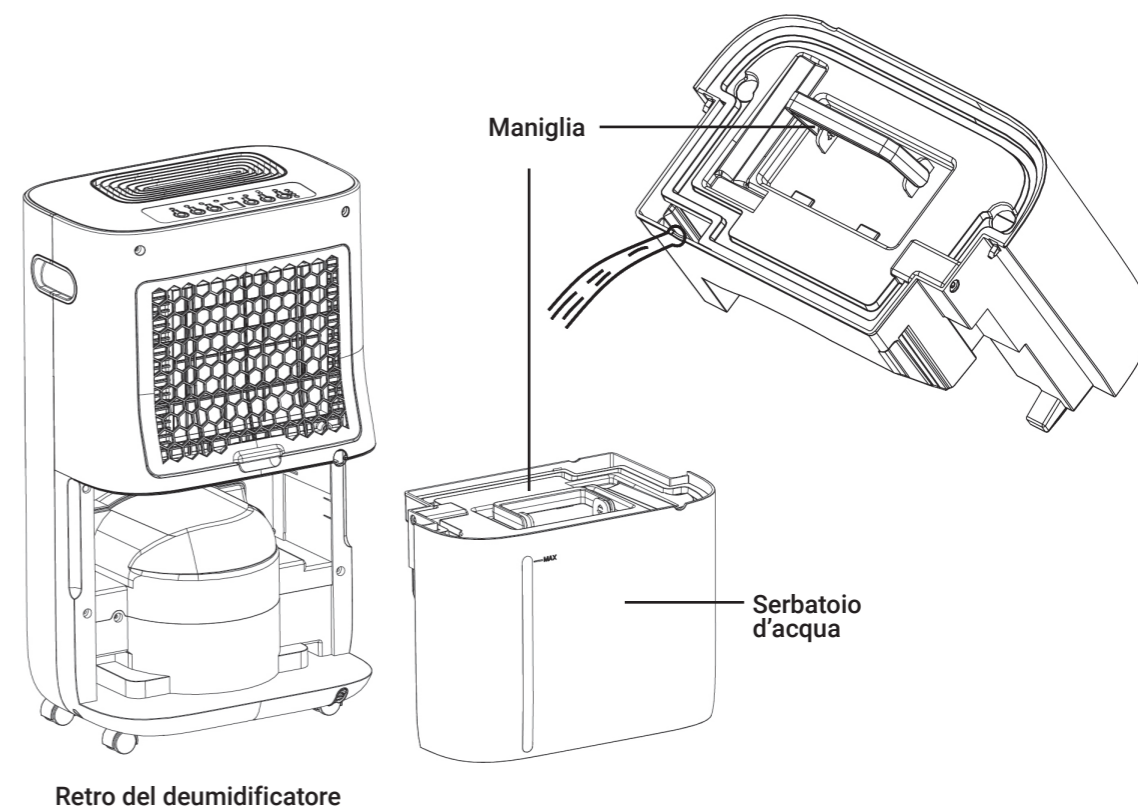
Passo 1: Spegnerne il deumidificatore premendo il pulsante di accensione (A).

Passo 2: Individuare il serbatoio dell'acqua sul retro del deumidificatore ed estrarlo delicatamente.

Passo 3: Usare la maniglia del serbatoio dell'acqua per svuotarlo in un lavandino o in una vasca da bagno.

Passo 4: Inserire nuovamente il serbatoio dell'acqua vuoto nel deumidificatore, assicurandosi che sia posizionato correttamente. Qualsiasi disallineamento del serbatoio impedirà al deumidificatore di ricominciare a funzionare, e l'indicatore "Serbatoio dell'acqua pieno" continuerà ad accendersi.

Non rimuovere la leva di galleggiamento situata all'interno del serbatoio dell'acqua. Tale leva è adibita ad arrestare automaticamente la deumidificazione quando il serbatoio dell'acqua è pieno.



Drenaggio esterno continuo dell'acqua

Si raccomanda di utilizzare la funzione di drenaggio continuo se l'apparecchio è utilizzato per un tempo prolungato e il serbatoio dell'acqua non può essere svuotato regolarmente. Per utilizzare questa funzione, procedere come segue:

Passo 1: Spegnerne il deumidificatore premendo il pulsante di accensione (A).

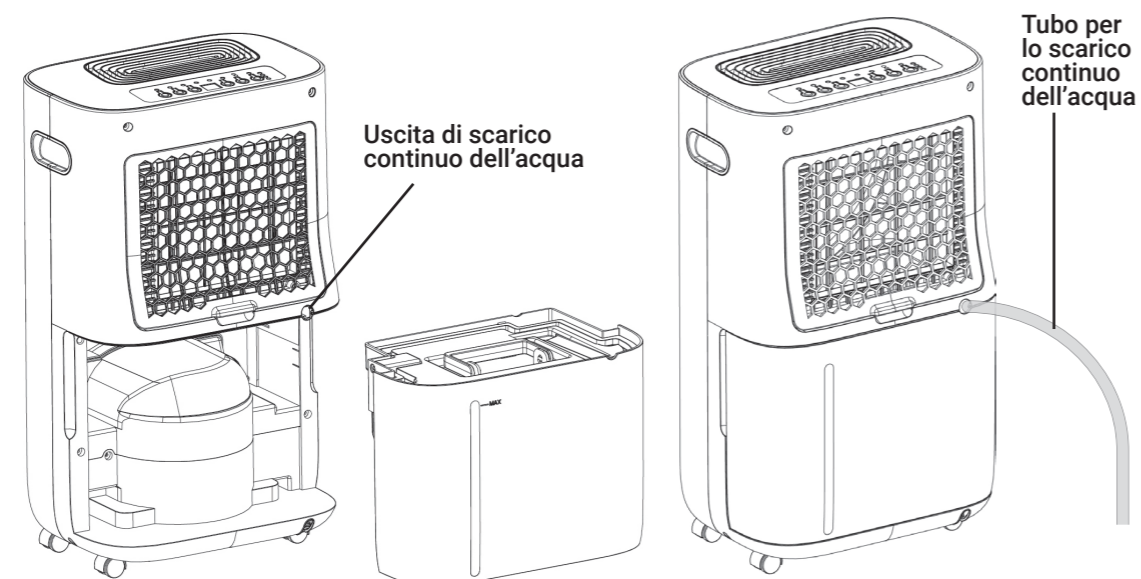
Passo 2: Individuare il serbatoio dell'acqua sul retro del deumidificatore ed estrarlo delicatamente.

Passo 3: Individuare l'uscita di scarico continuo dell'acqua sul retro del deumidificatore.

Passo 4: Inserire il tubo flessibile nell'uscita di scarico continuo dell'acqua e assicurarsi che sia fissato in modo corretto.

Passo 5: Inserire nuovamente il serbatoio dell'acqua vuoto nel deumidificatore, assicurandosi che sia posizionato correttamente. Qualsiasi disallineamento del serbatoio impedirà al deumidificatore di ricominciare a funzionare e l'indicatore "Serbatoio dell'acqua pieno" continuerà ad accendersi.

Passo 6: Posizionare l'altra estremità del tubo flessibile in un lavandino o in uno scarico. Assicurarsi che l'acqua possa defluire verso il basso, mantenendo il tubo flessibile libero da curve o pieghe e inclinato verso il basso.



Pulizia del serbatoio

Eseguire la pulizia del serbatoio dell'acqua del deumidificatore ogni due o tre settimane circa, per evitare accumulo di sporco o crescita di muffe, funghi e batteri.

Per pulire, versare una miscela di acqua pulita e sapone neutro nel serbatoio. Agitare e svuotare il serbatoio. Sciacquare con cura prima di rimetterlo al suo posto.

Pulizia del filtro

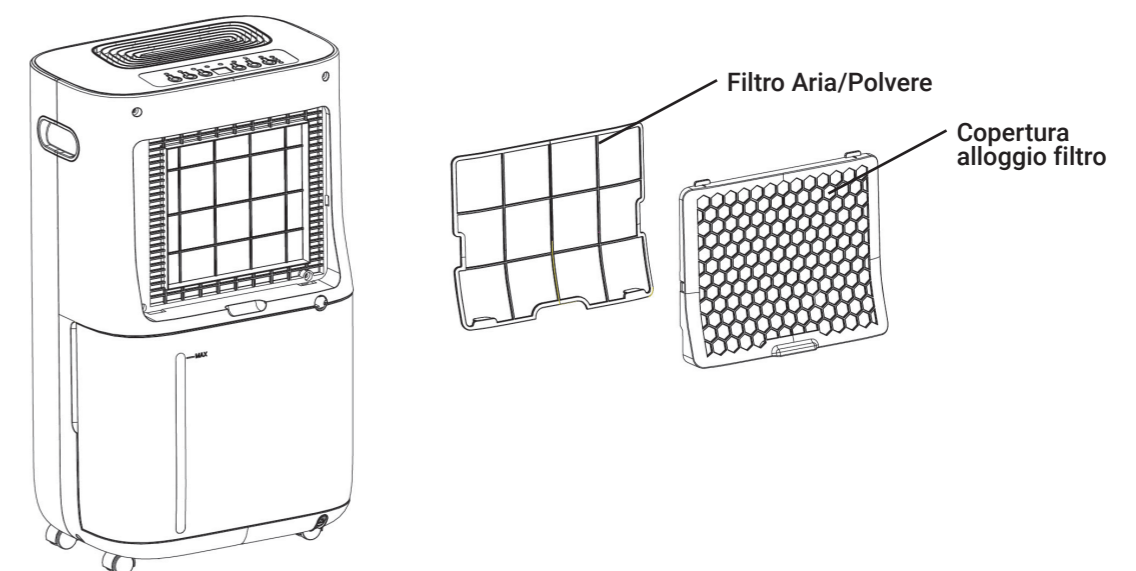
Pulire il filtro dell'aria/polvere del deumidificatore ogni due settimane circa. Un filtro sporco può ridurre l'efficienza del deumidificatore. Per pulire il filtro, seguire la seguente procedura:

Passo 1: Rimuovere il coperchio dell'alloggiamento del filtro dal deumidificatore, che si trova sul retro dell'unità.

Passo 2: Estrarre con cautela il filtro in nylon dal coperchio dell'alloggiamento del filtro.

Passo 3: Utilizzare un panno umido o un aspirapolvere con un accessorio a spazzola per rimuovere delicatamente la polvere dal filtro.

Passo 4: Se il filtro è troppo sporco, può essere risciacquato con acqua fredda, poi asciugato e infine rimesso al suo posto.



Pulizia del deumidificatore

ATTENZIONE: Spegnerne sempre e staccare la spina del deumidificatore dalla presa di corrente prima di effettuare qualsiasi pulizia o manutenzione.

Pulizia dell'unità

Pulire le superfici del deumidificatore con un panno morbido. Non utilizzare mai detergenti corrosivi, a base di solventi o abrasivi: si potrebbe danneggiare il deumidificatore.

Per pulire delicatamente le griglie di aspirazione e di uscita si può usare un'aspirapolvere con un accessorio a spazzola.

Operazioni di sbrinamento

Il ghiaccio può accumularsi sulle serpentine interne dell'unità. In tal caso la funzione deumidificazione si arresta automaticamente e il ventilatore dell'unità continua a funzionare fino alla scomparsa del ghiaccio. Dopo pochi minuti, e una volta scongelate le serpentine interne, l'operazione di deumidificazione riprenderà.



Durante lo sbrinamento, l'indicatore di sbrinamento (J) si accende sul pannello di controllo. Non spegnere il deumidificatore mentre l'unità è in fase di sbrinamento.

Informazioni utili / suggerimenti

- Questo deumidificatore è dotato di una funzione di sicurezza per impedire di accendere e spegnere il compressore troppo frequentemente. Viene ritardata la deumidificazione fino a quando l'unità non è rimasta accesa per 3 minuti di seguito.
- Ogni volta che il deumidificatore viene acceso, sono mantenute le impostazioni selezionate durante l'ultimo funzionamento.
- In caso di interruzione di corrente mentre il deumidificatore è in funzione e dopo il ripristino della corrente, il deumidificatore si riavvia automaticamente, mantenendo tutte le impostazioni selezionate prima dell'interruzione.
- Tutti i deumidificatori a compressore producono calore durante il processo di deumidificazione. La temperatura dell'aria proveniente dalla bocchetta sarà potrebbe subire variazioni, in base alle condizioni dell'ambiente circostante e al funzionamento del compressore. Può fluttuare, e questo è normale.



Aerialia®

Green Bear Innovations S.L.
Calle Isabel la Católica,
N° 1, Planta 1, 39007
Santander, España

WWW.AIRALIA.EU

